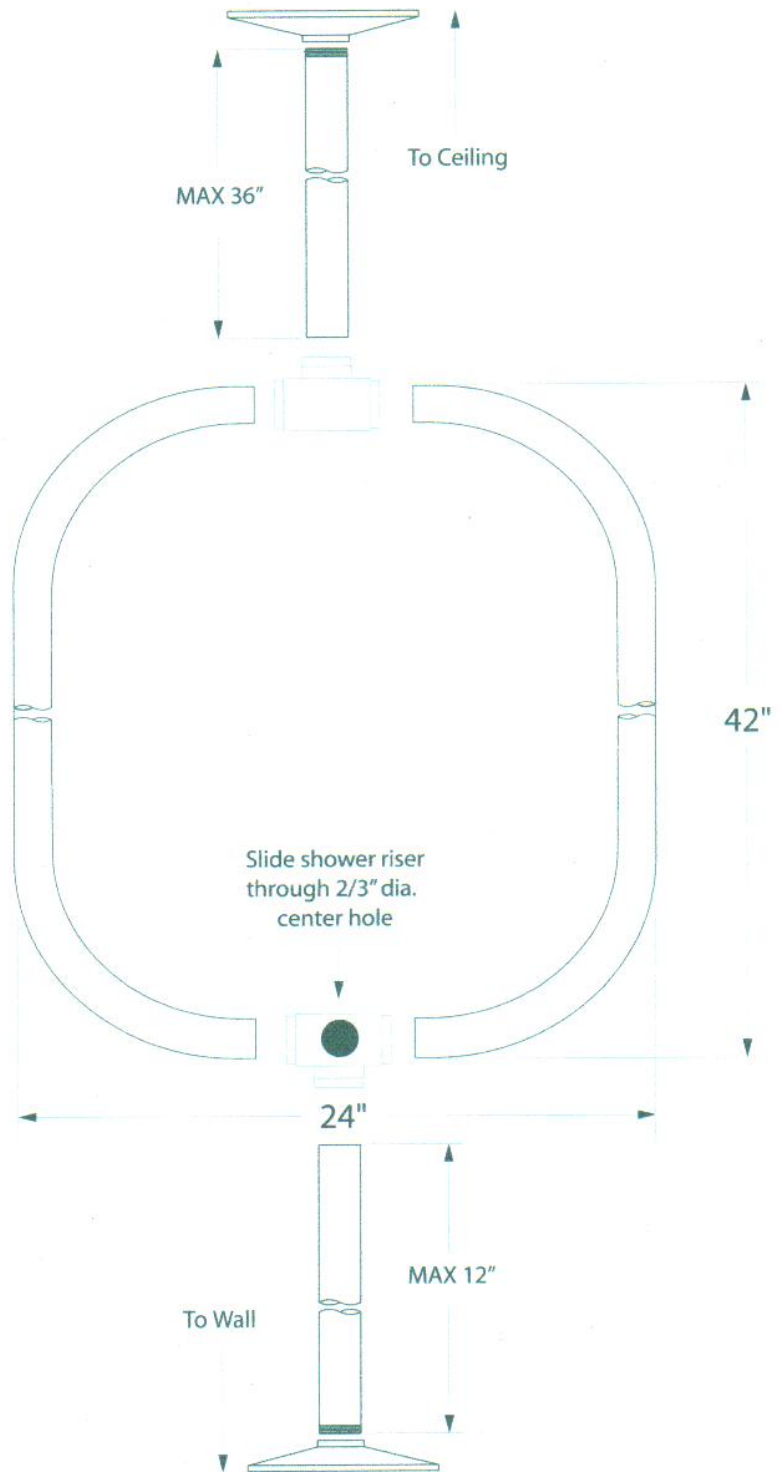




Model # 3150-42

INSTRUCTIONS

1. Slide the 4 way connector on to existing upriser. (use larger hole in the center of the 4 way connector)
2. Position 4 way connector at desired height for curtain rod. Cut non-threaded end of wall support rod to desired length equal to the distance between the wall and the upriser tube. Mount the flange on the wall using the mounting hardware and screw the support rod into the flange.
3. Next, fit the support rod into the back side of the 4 way connector and tighten set screw.
4. Attach both ends of the curtain rod into the opposing sides of the 4 way connector and tighten set screws.
5. Before connecting ceiling mount T-connector in far end of curtain rod, be sure to slide the bracket for the 2nd ceiling mount onto the curtain rod. Make sure to place curtain in desired position before closing off the curtain rod. Next, connect both ends of the curtain rod to the ceiling mount T-connector and tighten set screws.
6. Finally cut both Ceiling mount rods to correct length. Mount the ceiling flanges in desired position and screw threaded end of the mounting rods into each flange. Position Curtain rod properly and raise the curtain rod up until the brackets fit onto the mounting rods, and tighten the set screws. (Tighten the opposing end to the wall first so that the weight will be supported when switching to the side mount)



CARE AND MAINTENANCE

Minimum Maintenance is required to maintain product finish. With proper maintenance your CHEVIOT Faucet will continually look like new. Special care should be taken when cleaning your faucet and the following suggestions should help extend your faucet life.

- a) Cleaning should be done regularly using a soft cotton cloth and warm water, then towel dry.
- b) Do not use cleaners that contain abrasives or harsh chemicals; Care should be taken in selecting cleaning supplies. Many cleaners contain detergents, ammonia, or other corrosive solvents that could damage your faucet finish.
- c) occasionally clean with a non-abrasive wax polish.

Tel : (800)-444-5969

www.cheviotproducts.com

M12-055

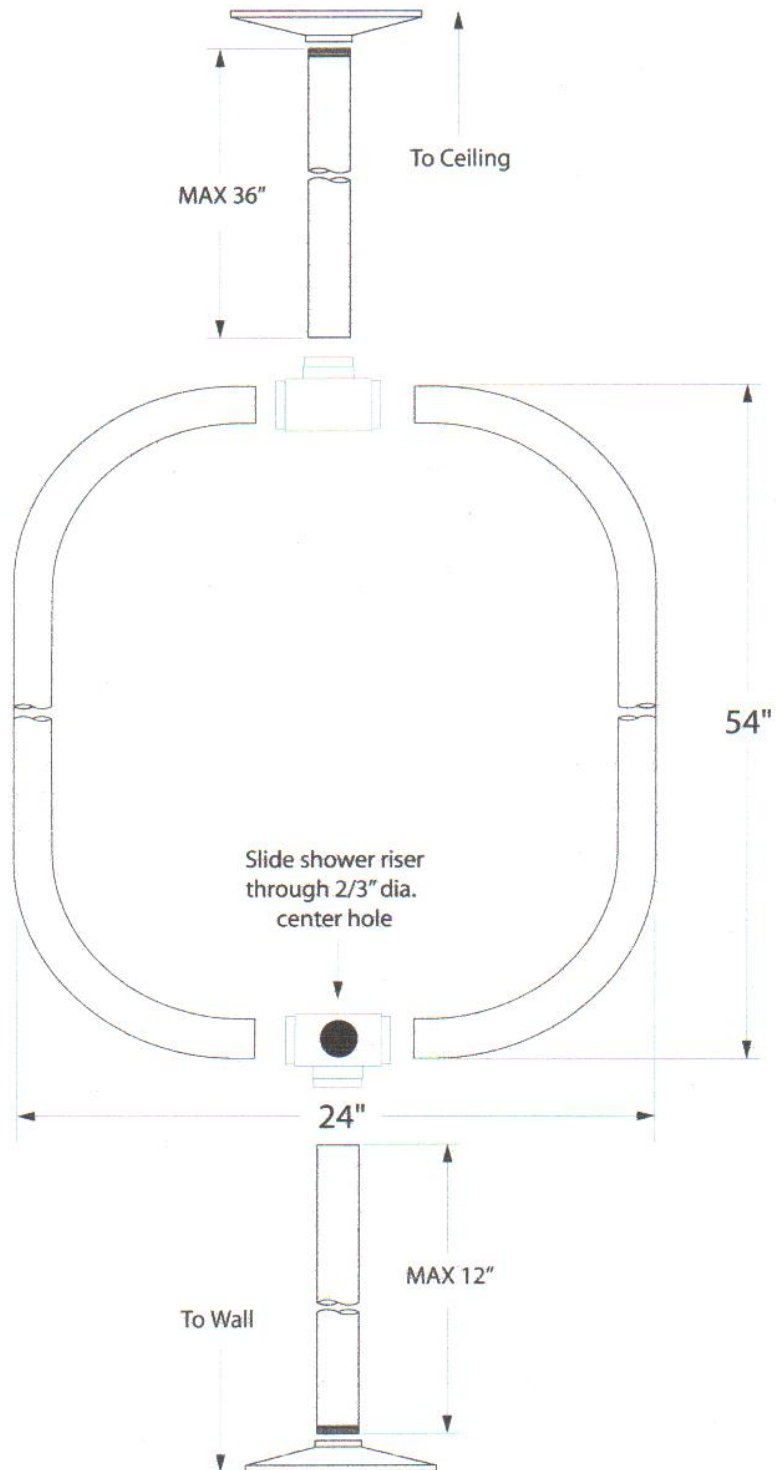


CHEVIOT PRODUCTS

Model # 3150 - 24" x 54"

INSTRUCTIONS

1. Slide the 4 way connector on to existing upriser. (use larger hole in the center of the 4 way connector)
2. Position 4 way connector at desired height for curtain rod. Cut non-threaded end of wall support rod to desired length equal to the distance between the wall and the upriser tube. Mount the flange on the wall using the mounting hardware and screw the support rod into the flange.
3. Next, fit the support rod into the back side of the 4 way connector and tighten set screw.
4. Attach both ends of the curtain rod into the opposing sides of the 4 way connector and tighten set screws.
5. Before connecting ceiling mount T-connector in far end of curtain rod, be sure to slide the bracket for the 2nd ceiling mount onto the curtain rod. Make sure to place curtain in desired position before closing off the curtain rod. Next, connect both ends of the curtain rod to the ceiling mount T-connector and tighten set screws.
6. Finally cut both Ceiling mount rods to correct length. Mount the ceiling flanges in desired position and screw threaded end of the mounting rods into each flange. Position Curtain rod properly and raise the curtain rod up until the brackets fit onto the mounting rods, and tighten the set screws. (Tighten the opposing end to the wall first so that the weight will be supported when switching to the side mount)



CARE AND MAINTENANCE

Minimum Maintenance is required to maintain product finish. With proper maintenance your CHEVIOT Faucet will continually look like new. Special care should be taken when cleaning your faucet and the following suggestions should help extend your faucet life.

- a) Cleaning should be done regularly using a soft cotton cloth and warm water, then towel dry.
- b) Do not use cleaners that contain abrasives or harsh chemicals; Care should be taken in selecting cleaning supplies. Many cleaners contain detergents, ammonia, or other corrosive solvents that could damage your faucet finish.
- c) occasionally clean with a non-abrasive wax polish.

Tel : (800)-444-5969

www.cheviotproducts.com

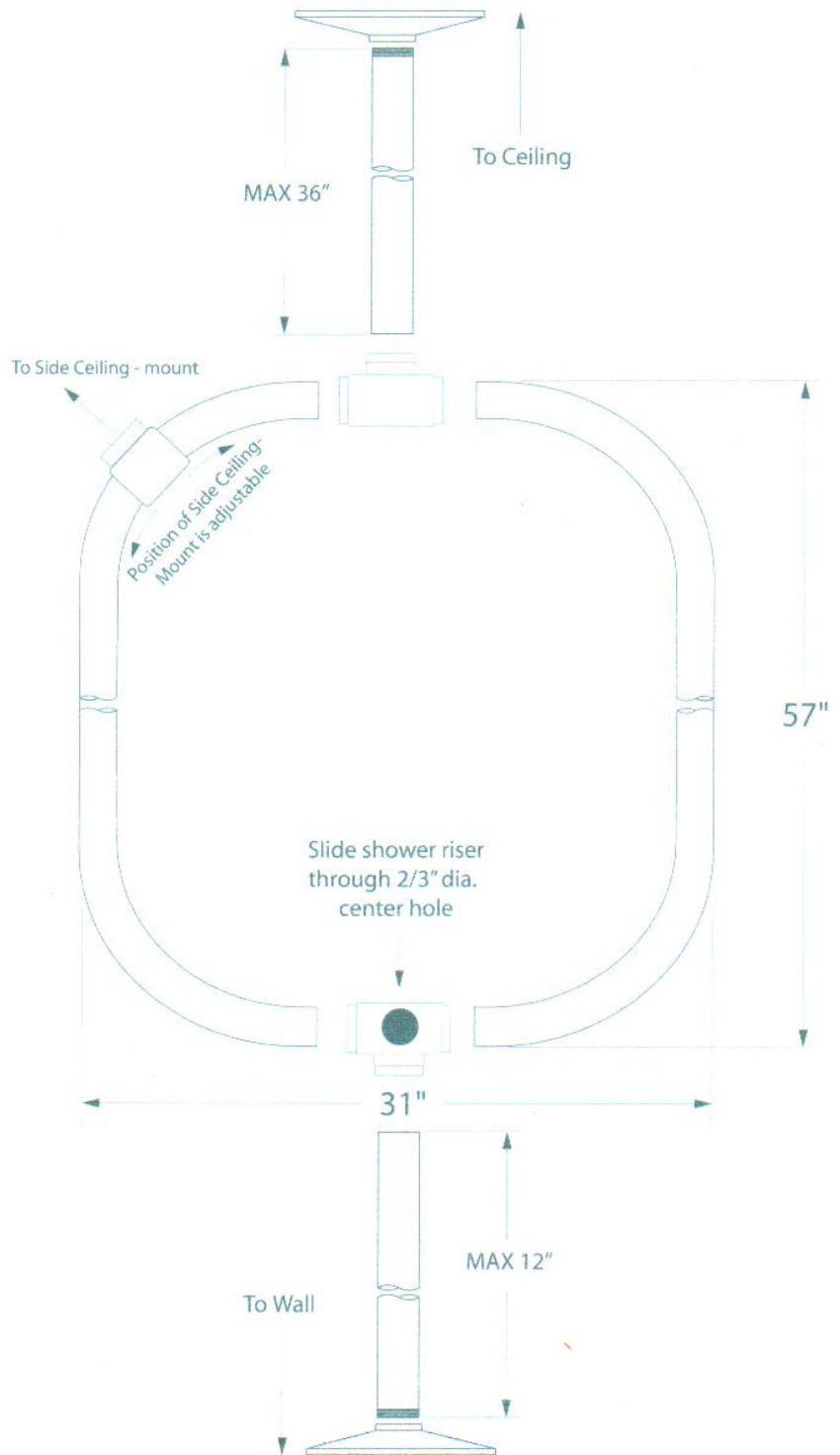
M12-059



Model # 3150 - 31" x 57"

INSTRUCTIONS

1. Slide the 4 way connector on to existing upriser. (use larger hole in the center of the 4 way connector)
2. Position 4 way connector at desired height for curtain rod. Cut non-threaded end of wall support rod to desired length equal to the distance between the wall and the upriser tube. Mount the flange on the wall using the mounting hardware and screw the support rod into the flange.
3. Next, fit the support rod into the back side of the 4 way connector and tighten set screw.
4. Attach both ends of the curtain rod into the opposing sides of the 4 way connector and tighten set screws.
5. Before connecting ceiling mount T-connector in far end of curtain rod, be sure to slide the bracket for the 2nd ceiling mount onto the curtain rod. Make sure to place curtain in desired position before closing off the curtain rod. Next, connect both ends of the curtain rod to the ceiling mount T-connector and tighten set screws.
6. Finally cut both Ceiling mount rods to correct length. Mount the ceiling flanges in desired position and screw threaded end of the mounting rods into each flange. Position Curtain rod properly and raise the curtain rod up until the brackets fit onto the mounting rods, and tighten the set screws. (Tighten the opposing end to the wall first so that the weight will be supported when switching to the side mount)



CARE AND MAINTENANCE

Minimum Maintenance is required to maintain product finish. With proper maintenance your CHEVIOT Faucet will continually look like new. Special care should be taken when cleaning your faucet and the following suggestions should help extend your faucet life.

- a) Cleaning should be done regularly using a soft cotton cloth and warm water, then towel dry.
- b) Do not use cleaners that contain abrasives or harsh chemicals; Care should be taken in selecting cleaning supplies. Many cleaners contain detergents, ammonia, or other corrosive solvents that could damage your faucet finish.
- c) occasionally clean with a non-abrasive wax polish.

Tel : (800)-444-5969

www.cheviotproducts.com

M12-058