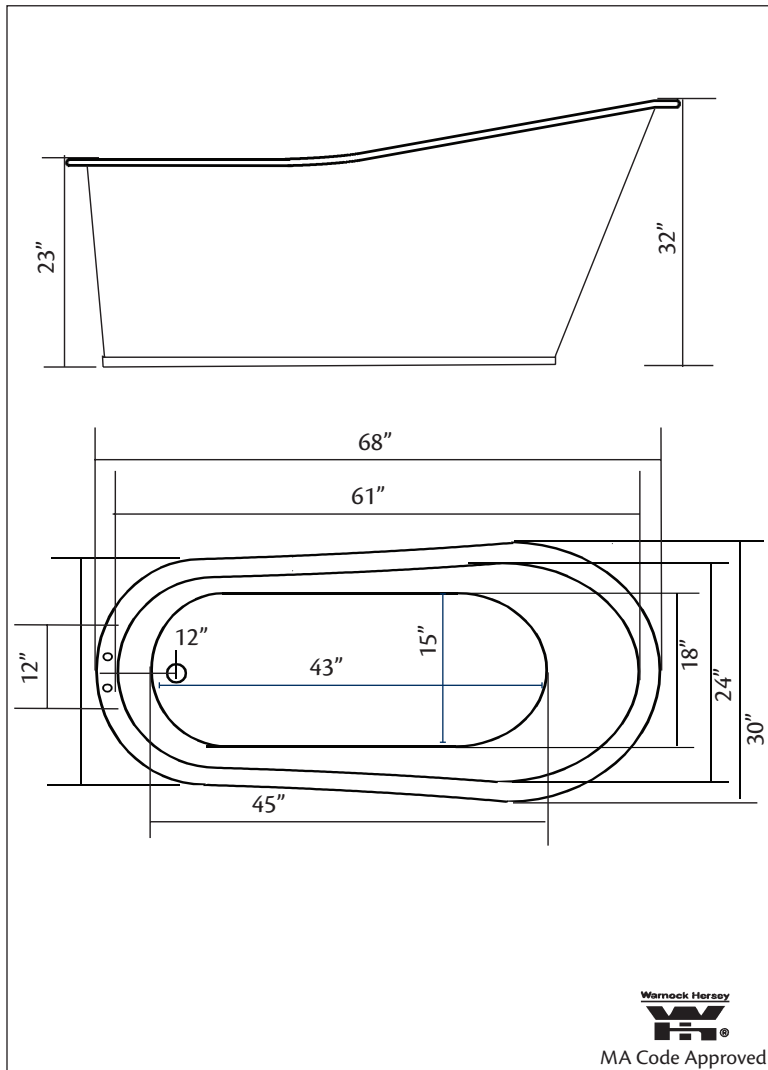


## 2157 DAKOTA Cast Iron Bath with continuous rolled rim

*Cheviot Products' cast iron bathtubs are handmade in Europe with the finest materials. Fired with a thick coating of AA grade titanium-based enamel for unparalleled hardness and non-porosity, the extremely durable surface is easy to clean and resistant to stains, bacteria, and other microbes. Cast iron also keeps your bath warm for the longest possible time.*



**68" x 30" Wide x 33" Tall**

357 lbs, 54 gallons

**Colours:** White, Custom Colour Exterior

### Related Products:



**7565 CONTEMPORARY**  
Tub Filler, Hand Shower  
& Supply Lines



**7550 CONTEMPORARY**  
Free Standing Tub Filler



**5115LEV Tub Filler**  
With Hand Shower



**3970 Heavy Duty**  
Water Supply Lines

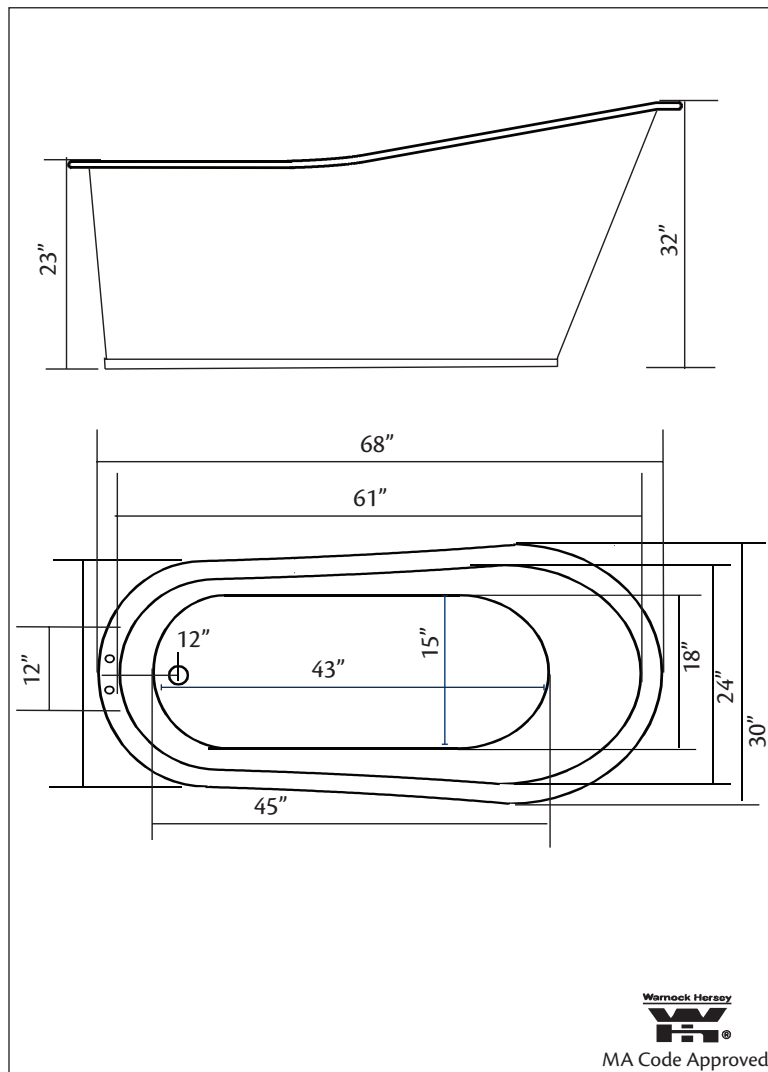
**Note:** Rough-in dimensions may vary +/- 1/2" and are subject to change. No responsibility is assumed by Cheviot Products Inc. One Year Limited Warranty against manufacturer's defects.

## 2158 DAKOTA Cast Iron Bath with flat area on rim

*Cheviot Products' cast iron bathtubs are handmade in Europe with the finest materials. Fired with a thick coating of AA grade titanium-based enamel for unparalleled hardness and non-porosity, the extremely durable surface is easy to clean and resistant to stains, bacteria, and other microbes. Cast iron also keeps your bath warm for the longest possible time.*



Model 2157 Shown



**68" x 30" Wide x 33" Tall**

357 lbs, 54 gallons

**Colours:** White, Custom Colour Exterior

### Related Products:



**7512 CONTEMPORARY**  
 Tub Filler, Hand Shower



**5127 Tub Filler**  
 With Hand Shower



**3411 Water Supply**  
 Lines



**2222 Waste &**  
 Overflow

**Note:** Rough-in dimensions may vary +/- 1/2" and are subject to change. No responsibility is assumed by Cheviot Products Inc. One Year Limited Warranty against manufacturer's defects.