

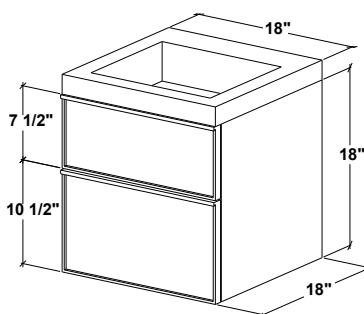
Frame Linea Metro

Vanity **FRLM 18WM** – 2 drawers – 18" length

inch 18 depth x 18 length x 18 height mm 457 x 457 x 457

Features

- Hand pull crafted in solid wood (Fig. 1)
- All wood construction with natural wood veneer
- AWI rated level 5 marine grade finish for moisture resistance and durability (industry's highest finishing class)
- Finished interior drawers (Fig. 2)
- Slow closing ball bearing glides



Finishes and colors

- oak - natural / wenge / white / black / stone harbour grey / coffee bean / smoked
- walnut - natural no calico / chocolate
- matte lacquer - white / black / stone harbour grey

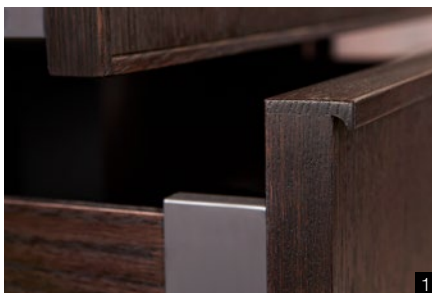
Drawers configuration



Integrated countertop possibility sold separately



VCMS 18 / VCM 18



WETSTYLE cannot be held responsible for any technical errors and reserves the right to make revisions without notice.

Approximate measurement. The manufacturer accept 1/4" (6.35mm) variance.

www.WETSTYLE.COM - Montreal - Canada
Tel. 1 888.536.9001 - service@wetstyle.com



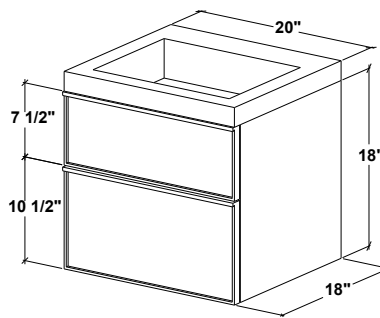
Frame Linea Metro

Vanity **FRLM 20WM** – 2 drawers – 20" length

inch 18 depth x 20 length x 18 height mm 457 x 508 x 457

Features

- Hand pull crafted in solid wood (Fig. 1)
- All wood construction with natural wood veneer
- AWI rated level 5 marine grade finish for moisture resistance and durability (industry's highest finishing class)
- Finished interior drawers (Fig. 2)
- Slow closing ball bearing glides



Finishes and colors

- oak - natural / wenge / white / black / stone harbour grey / coffee bean / smoked
- walnut - natural no calico / chocolate
- matte lacquer - white / black / stone harbour grey

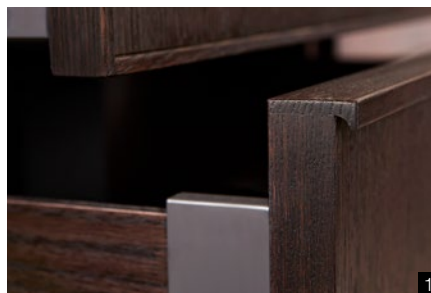
Drawers configuration



Integrated countertop possibility sold separately



VCMS 20 / VCM 20



WETSTYLE cannot be held responsible for any technical errors and reserves the right to make revisions without notice.
Approximate measurement. The manufacturer accept 1/4" (6.35mm) variance.

www.WETSTYLE.COM - Montreal - Canada
Tel. 1 888.536.9001 - service@wetstyle.com



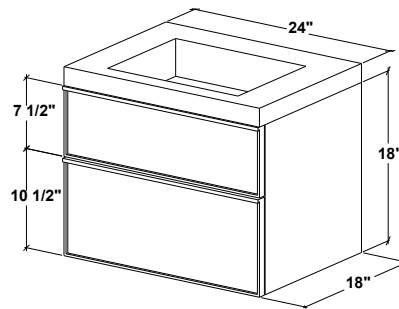
Frame Linea Metro

Vanity **FRLM 24WM** – 2 drawers – 24" length

inch 18 depth x 24 length x 18 height mm 457 x 610 x 457

Features

- Hand pull crafted in solid wood (Fig. 1)
- All wood construction with natural wood veneer
- AWI rated level 5 marine grade finish for moisture resistance and durability (industry's highest finishing class)
- Finished interior drawers (Fig. 2)
- Slow closing ball bearing glides



Finishes and colors

- oak - natural / wenge / white / black / stone harbour grey / coffee bean / smoked
- walnut - natural no calico / chocolate
- matte lacquer - white / black / stone harbour grey

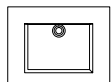
Option

- Drawer front inserts in white glass, polished or matte (Fig. 3)

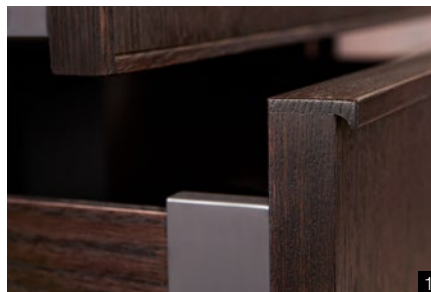
Drawers configuration



Integrated countertop possibility sold separately



VCMS 24 / VCM 24



WETSTYLE cannot be held responsible for any technical errors and reserves the right to make revisions without notice.

Approximate measurement. The manufacturer accept 1/4" (6.35mm) variance.

www.WETSTYLE.COM - Montreal - Canada
Tel. 1 888.536.9001 - service@wetstyle.com



Frame Linea Metro

Vanity **FRLM 30WM** – 2 drawers – 30" length

inch 18 depth x 30 length x 18 height mm 457 x 762 x 457

Features

- Hand pull crafted in solid wood (Fig. 1)
- All wood construction with natural wood veneer
- AWI rated level 5 marine grade finish for moisture resistance and durability (industry's highest finishing class)
- Finished interior drawers (Fig. 2)
- Slow closing ball bearing glides

Finishes and colors

- oak - natural / wenge / white / black / stone harbour grey / coffee bean / smoked
- walnut - natural no calico / chocolate
- matte lacquer - white / black / stone harbour grey

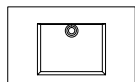
Option

- Drawer front inserts in white glass, polished or matte (Fig. 3)

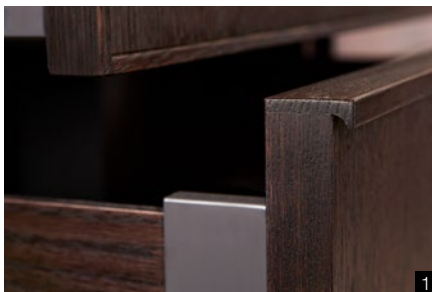
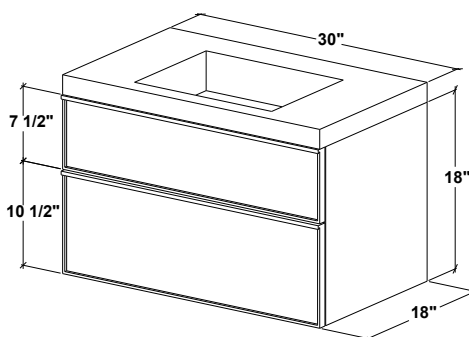
Drawers configuration



Integrated countertop possibility sold separately



VCMS 30 / VCM 30



WETSTYLE cannot be held responsible for any technical errors and reserves the right to make revisions without notice.

Approximate measurement. The manufacturer accept 1/4" (6.35mm) variance.

www.WETSTYLE.COM - Montreal - Canada
Tel. 1 888.536.9001 - service@wetstyle.com



Frame Linea Metro

Vanity **FRLM 36WM** – 2 drawers – 36" length

inch 18 depth x 36 length x 18 height mm 457 x 914 x 457

Features

- Hand pull crafted in solid wood (Fig. 1)
- All wood construction with natural wood veneer
- AWI rated level 5 marine grade finish for moisture resistance and durability (industry's highest finishing class)
- Finished interior drawers (Fig. 2)
- Slow closing ball bearing glides

Finishes and colors

- oak - natural / wenge / white / black / stone harbour grey / coffee bean / smoked
- walnut - natural no calico / chocolate
- matte lacquer - white / black / stone harbour grey

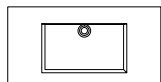
Option

- Drawer front inserts in white glass, polished or matte (Fig. 3)

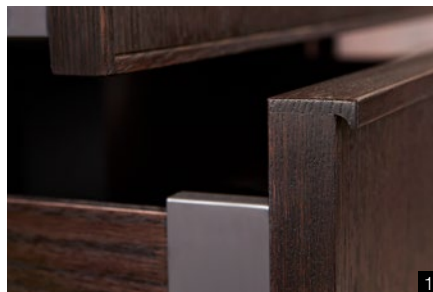
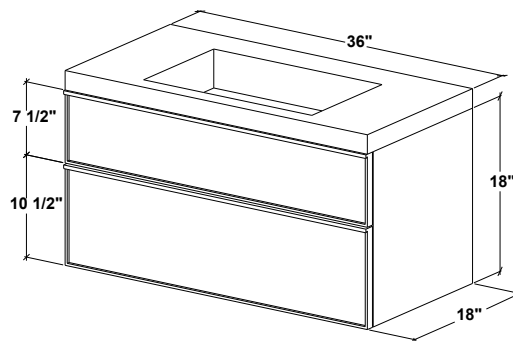
Drawers configuration



Integrated countertop possibility sold separately



VCMS 36 / VCM 36



WETSTYLE cannot be held responsible for any technical errors and reserves the right to make revisions without notice.

Approximate measurement. The manufacturer accept 1/4" (6.35mm) variance.

www.WETSTYLE.COM - Montreal - Canada
Tel. 1 888.536.9001 - service@wetstyle.com



Frame Linea Metro

Vanity **FRLM 42WM** – 2 drawers – 42" length

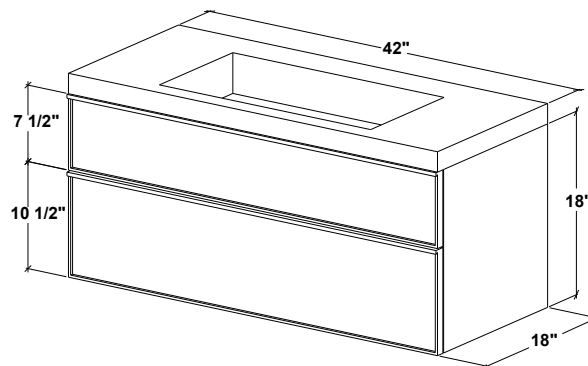
inch 18 depth x 42 length x 18 height mm 457 x 1067 x 457

Features

- Hand pull crafted in solid wood (Fig. 1)
- All wood construction with natural wood veneer
- AWI rated level 5 marine grade finish for moisture resistance and durability (industry's highest finishing class)
- Finished interior drawers (Fig. 2)
- Slow closing ball bearing glides

Finishes and colors

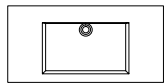
- oak - natural / wenge / white / black / stone harbour grey / coffee bean / smoked
- walnut - natural no calico / chocolate
- matte lacquer - white / black / stone harbour grey



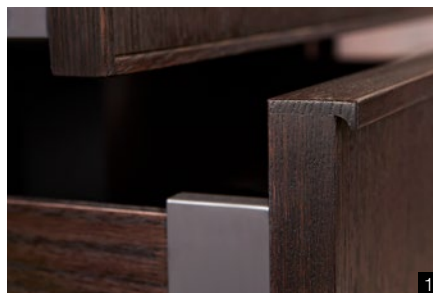
Drawers configuration



Integrated countertop possibility sold separately



VCMS 42 / VCM 42



WETSTYLE cannot be held responsible for any technical errors and reserves the right to make revisions without notice.

Approximate measurement. The manufacturer accept 1/4" (6.35mm) variance.

www.WETSTYLE.COM - Montreal - Canada
Tel. 1 888.536.9001 - service@wetstyle.com

