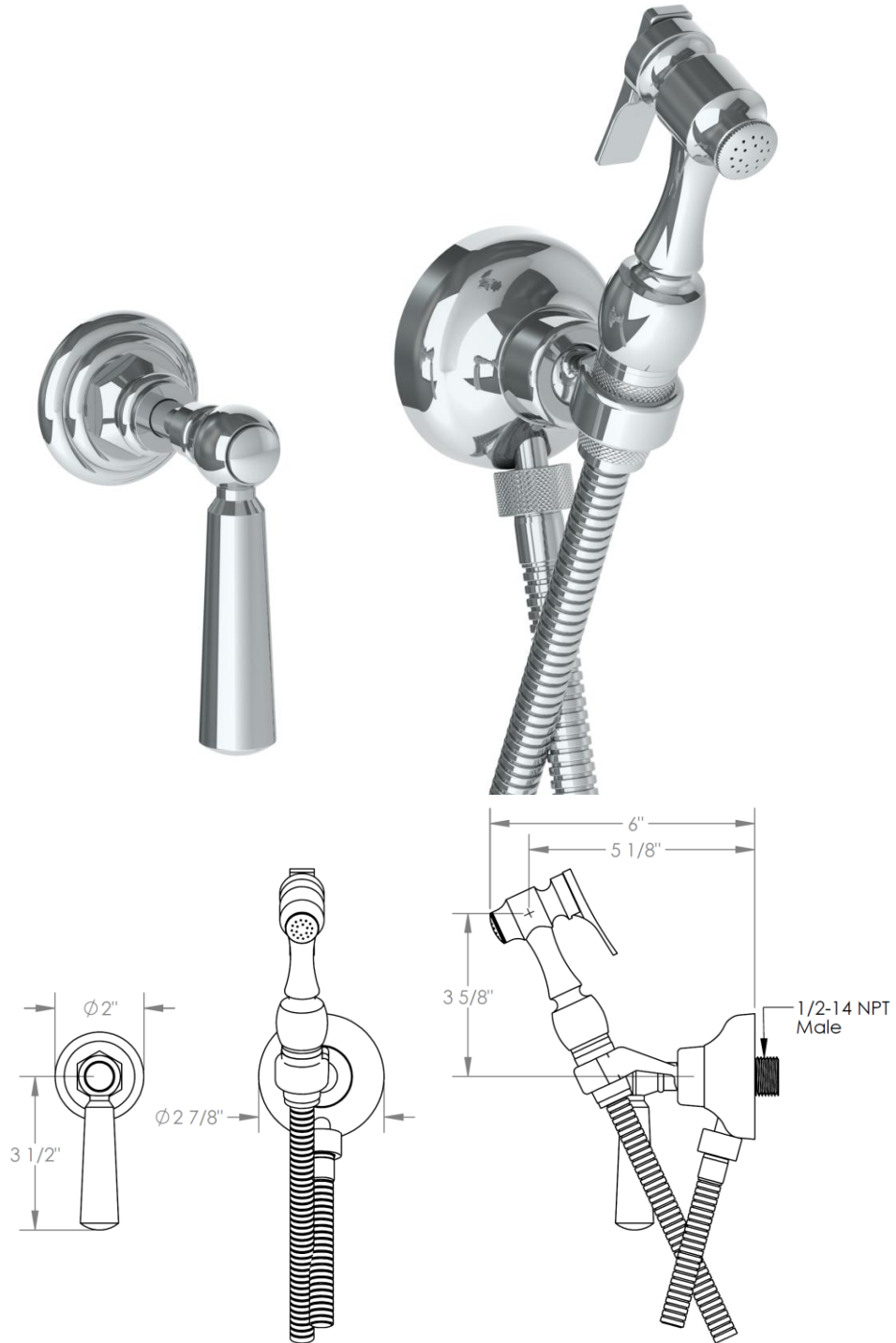


206-4.4-__

Wall Mounted Bidet Spray Set & Progressive Mixer with 49" Hose

Requires SS-SHV1.2 concealed rough

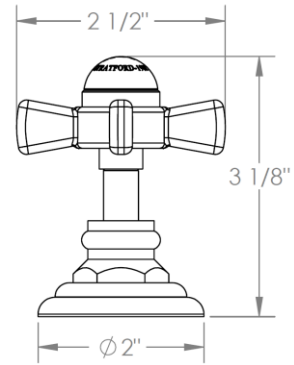
Note: Some building codes may require backflow preventers installed in the supply lines



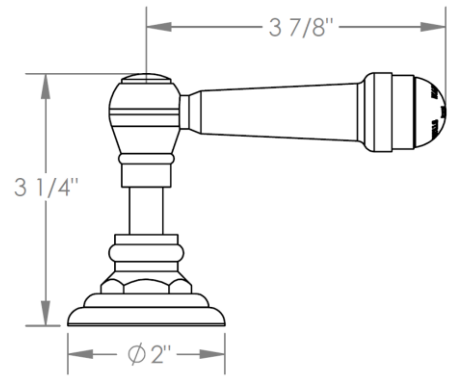
Meets the applicable requirements of ASME A112.18.1-2005/CSA B125.1-05, entitled "Plumbing Supply Fittings"

ADDITIONAL HANDLE OPTIONS

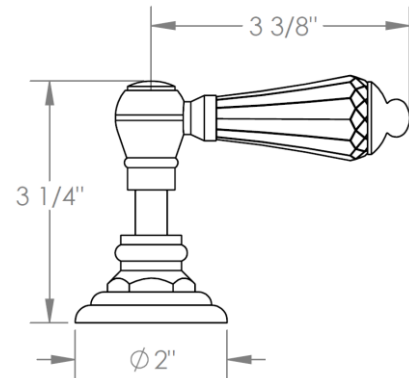
S1 - PRESTON



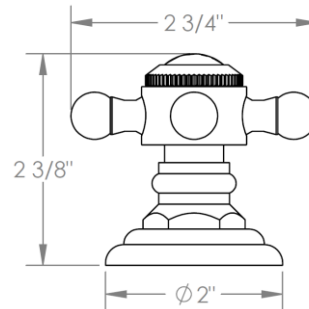
S2 - WALTHAM



SWA - DARIEN



V - WALES



S1A – NOTTINGHAM

