



**DENVER**  
Towel Warmer  
Chauffe-serviettes  
Calentador de toallas

**PRODUCT SPECIFICATION SHEET**

**DENVER SERIES**

DEN-0800600-PC



**FEATURES**

- WALL MOUNTED
  - HARDWIRE INSTALLATION KIT
  - MOUNTING INSTRUCTIONS
  - ALL ELECTRIC AND OIL FILLED
  - COVER PLATES
- TIMERS AVAILABLE SEPARATELY (NOT INCLUDED)

**SIZES**

- 800x600 MM
- 1200x600 MM

**STOCKED FINISHES**

- POLISHED CHROME (PC)
- POLISHED NICKEL (PN)
- BRUSHED NICKEL (BN)
- MATTE BLACK (MB)



DEN-0800600-BN

DEN-0800600-PN

DEN-0800600-MB

SEE OVER FOR SPECIFICATION DRAWINGS

Product Code	Finishes	Sizes (mm)		Sizes (Inches)		Output (Watts/BTU)	Element Size	Number of Elements
		Height	Width	Height	Width			
DEN-0800600	PC, BN, PN, MB	800	600	31.5	23.62	347 / 1184	150W	16
DEN-1200600	PC, BN, PN, MB	1200	600	47.24	23.62	520 / 1776	300W	24



Distributed by Kartners Bathroom Accessories  
Address: North Vancouver, British Columbia, Canada  
toll free number: 1-877-490-3537  
website: www.vernontowelwarmers.com

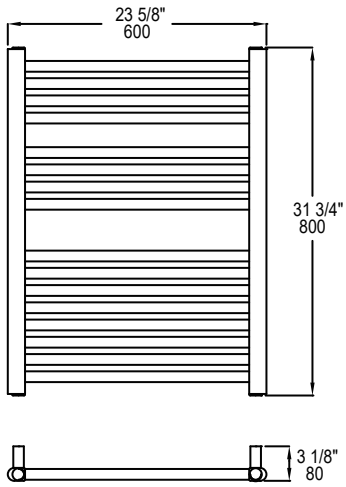
Email: support@vernontowelwarmers.com



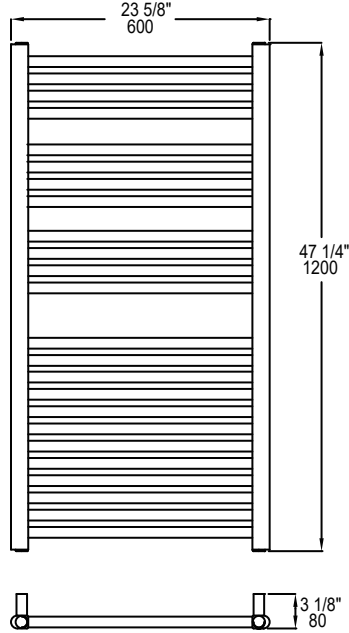
**DENVER**  
Towel Warmer  
Chauffe-serviettes  
Calentador de toallas

**PRODUCT SPECIFICATION SHEET**

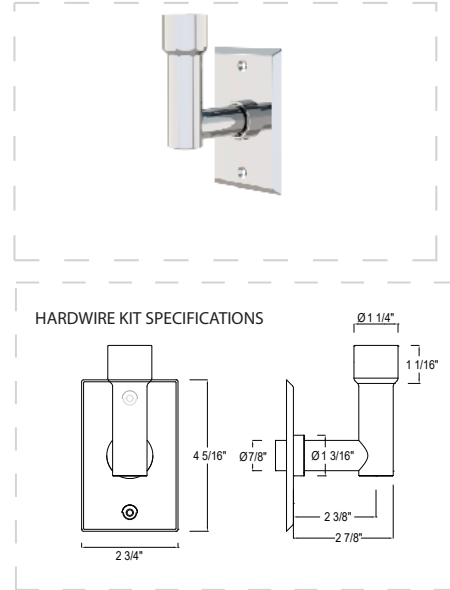
DEN-0800600



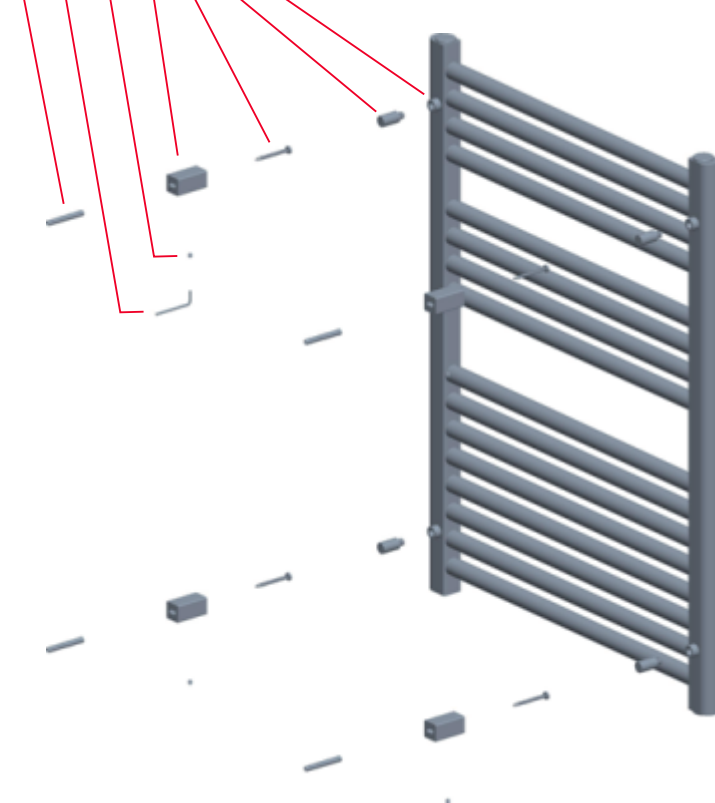
DEN-1200600



Vernon Towel Warmer Hardwire Kit Round -PC  
Code: VTW-HWK-RD-PC



7 6 5 4 3 2 1



**Installation Diagram 3**  
- Denver

1. Solid fixing lug
2. Wall support core
3. Wall screw
4. Wall support
5. Grub screw
6. Allen Key
7. Wall plug

**TIMERS AVAILABLE**



VPT24-1PZ



DDS15-BDZ



Distributed by Kartners Bathroom Accessories  
Address: North Vancouver, British Columbia, Canada  
toll free number: 1-877-490-3537  
website: [www.vernontowelwarmers.com](http://www.vernontowelwarmers.com)

Email: [support@vernontowelwarmers.com](mailto:support@vernontowelwarmers.com)