



SignaTouch Control

Installation Manual

For Tutorials and Troubleshooting visit www.thermasol.com/solutions

STCX-XXX

THERMASOL[®]

OVER 60 YEARS OF STEAM SHOWER INNOVATION

1 Important Information before You Install

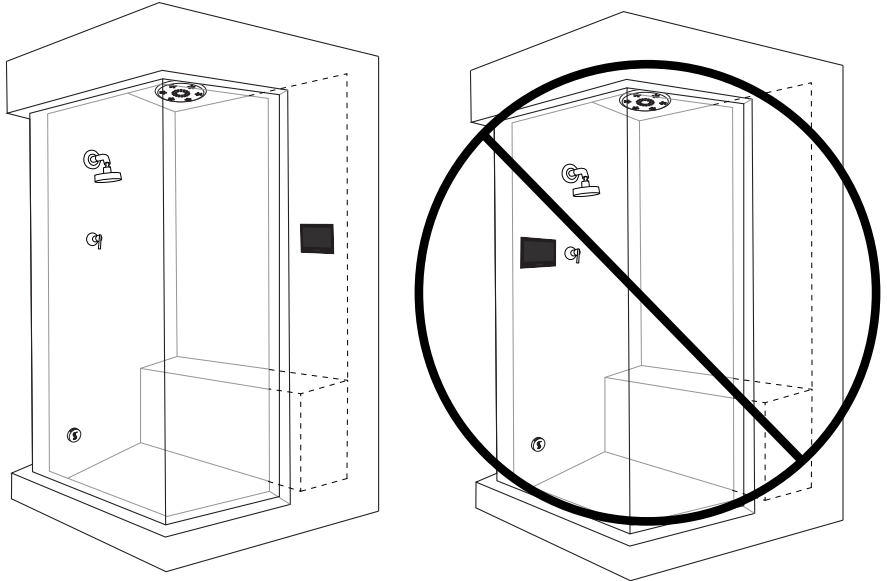
The SignaTouch Control must be installed inside the shower. The ThermaTouch control will only function on the current TFX, SSA and PRO Series generators.

The control should be installed 60" from the floor of the shower and away from the steamhead.

The steamhead should be installed 24" from the floor and 6" from any wall. Locate as far as possible from the bathing seating area or location of the users and not below any fixtures.

IMPORTANT: When locating and installing the ThermaTouch, it is required to not place the control under any water-outlets, shower heads or in the direct path of flowing water.

SEE DIAGRAM FOR LOCATION EXAMPLE.



PLEASE REVIEW WARNINGS BELOW AND LEAVE THIS MANUAL WITH HOMEOWNER

DO NOT USE THIS PRODUCT UNLESS YOU HAVE CONSULTED WITH YOUR DOCTOR AND RECEIVED WRITTEN PERMISSION TO DO SO. USE OF THIS PRODUCT MAY BE HAZARDOUS TO YOUR HEALTH.

PLEASE CONSULT YOUR PHYSICIAN BEFORE USING. IF YOU ARE PREGNANT, ELDERLY, HAVE HIGH BLOOD PRESSURE, DIABETES, SUFFERING FROM HEART DISEASE, ARE INTOXICATED, OR NOT IN GOOD HEALTH, DO NOT USE THIS STEAM BATH.

STEAM IS HOT! DO NOT TOUCH OR GO NEAR THE STEAMHEAD FROM THE TIME THE UNIT IS "ON," UP TO ONE HOUR AFTER IT HAS SHUT OFF. SEVERE BURNS WILL OCCUR IF YOU COME IN CONTACT WITH THE STEAMHEAD OR STEAM EMITTING FROM THE STEAMHEAD.

NEVER ATTEMPT TO FILL AROMA RESERVOIR ON THE STEAMHEAD WHEN UNIT IS IN THE "ON" POSITION. SEVERE BURNS WILL OCCUR.

DO NOT USE THERMASOL AROMATHERAPY OILS, SKIN CARE PRODUCTS OR ANY PRODUCT ASSOCIATED WITH YOUR THERMASOL UNIT WITHOUT CONSULTING WITH YOUR ALLERGIST OR DOCTOR BEFORE USE. THESE PRODUCTS MAY BE HAZARDOUS TO YOUR HEALTH.

DO NOT USE STEAM ROOM WHILE UNDER THE INFLUENCE OF ALCOHOL OR DRUGS, AS THIS CAN BE HAZARDOUS TO YOUR HEALTH.

YOUR SHOWER MAY BE A SLIP-AND-FALL HAZARD. CHECK WITH YOUR CONTRACTOR OR FLOORING MANUFACTURER REGARDING THE SAFE USE OF YOUR FLOORING IN A STEAM APPLICATION. SLIPPING AND FALLING INTO THE STEAMHEAD ITSELF OR INTO THE STREAM OF STEAM EMITTING FROM THE STEAMHEAD WILL CAUSE SERIOUS BURNS OR PHYSICAL INJURY.

IF YOU ARE FEELING UNCOMFORTABLE, DIZZY, FAINT, OR STARTING TO FALL ASLEEP, IMMEDIATELY EXIT THE STEAM ROOM.

DO NOT USE STEAM ROOM IF YOU ARE UNDER THE AGE OF 16 UNLESS SUPERVISED BY AN ADULT.

THERMASOL STEAM BATH GENERATORS ARE NOT DESIGNED TO BE USED FOR SPACE HEATING PURPOSES.

THERMASOL STEAM BATH GENERATORS ARE FOR INDOOR USE ONLY. THEY SHOULD NEVER BE LOCATED OUTSIDE THE HOME.

All products must be installed in accordance with installation instructions provided. Failure to do so may invalidate warranty at manufacturer's discretion. ©2019 ThermaSol.

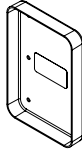
2 Tools and Materials



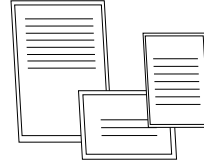
Controller
Item STCX-XXX



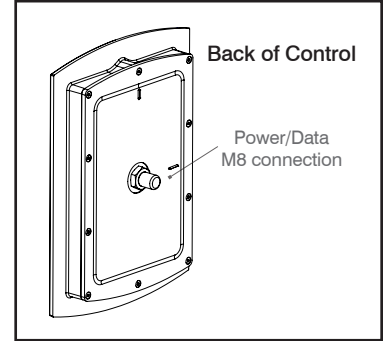
Silicone



Mud Ring
Item 04-8566



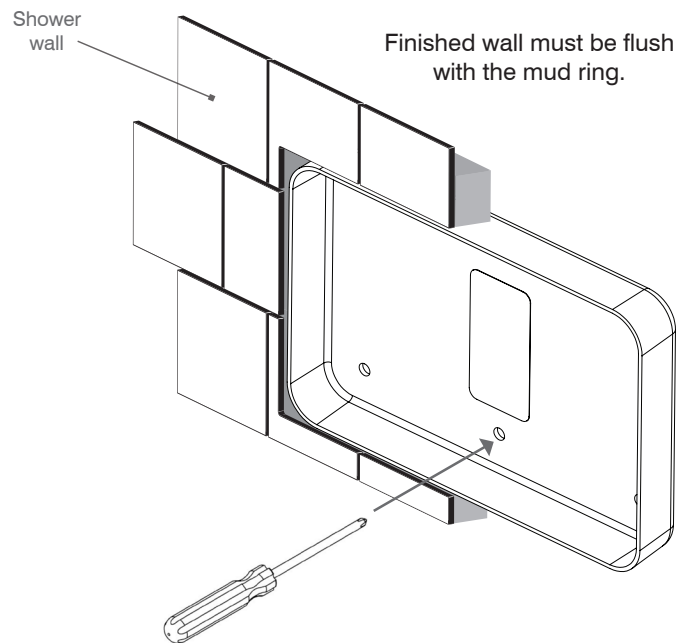
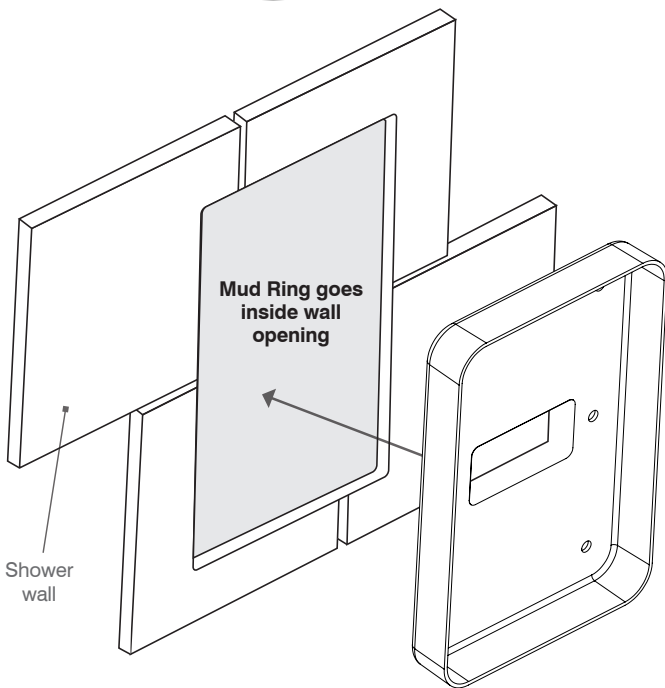
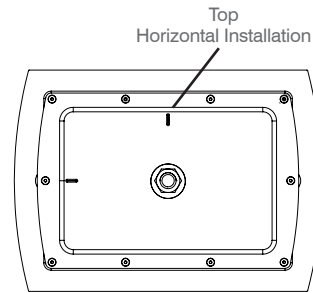
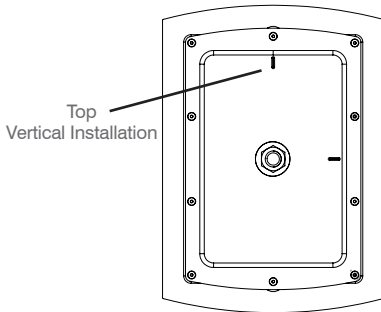
Installation instructions, warranty,
static cling warning label



Materials needed:

- SignaTouch control
- M8 cable
- Silicone
- Mud Ring
- Other materials as required

3 Mud Ring Application

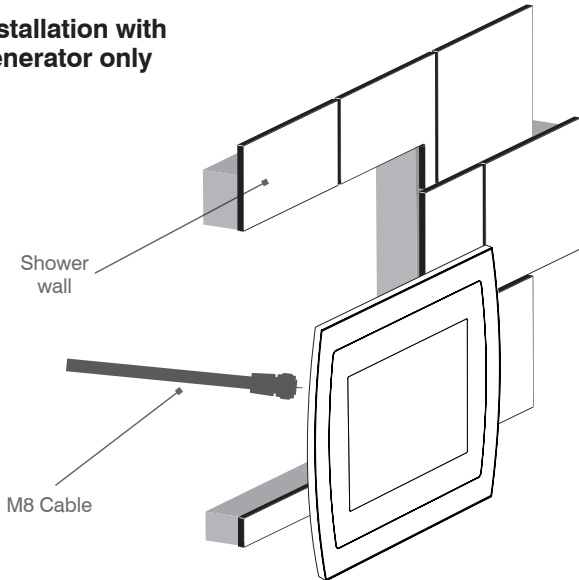


**5.7" W by 3.9" opening for recessed mount STCX-XXX Mud Ring
SignaTouch control can be installed vertically or horizontally**

Read warnings on page 2. For illustrative purposes only. Consult with qualified professional for steam room construction details.

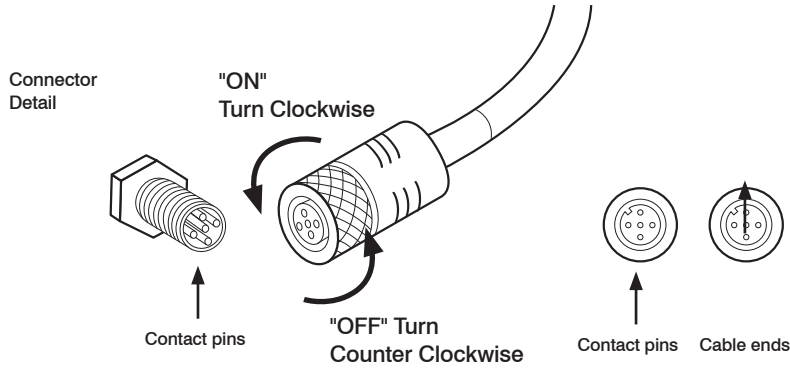
4 Control Installation and Data Cable Connection

Installation with generator only



Route the M8 cable through the finished wall to the back side of the control. (The other end of the cable runs to the steam generator location.) NOTE: It is recommended to run the cable through electrical conduit. DO NOT STAPLE the cable!

Installation with one of or all, SLSR, Digital shower valve, and steam generator.

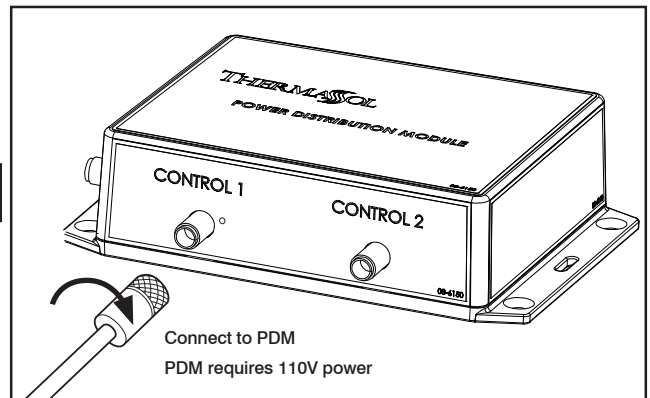
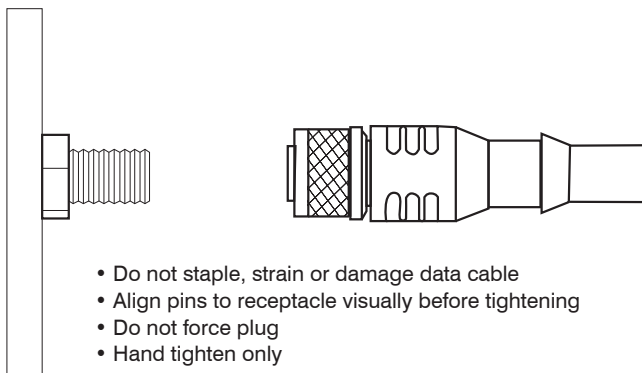


DO NOT pinch, nail, staple, wedge, or bind the data cable.

DO NOT wrap the data cable around steam line or route it in a manner so that the hot steam line could melt the cable.

Any damage to the control cable will result in the control not working properly.

Carefully connect the data cable to the PDM and control **BEFORE** turning power on to the generator or PDM.



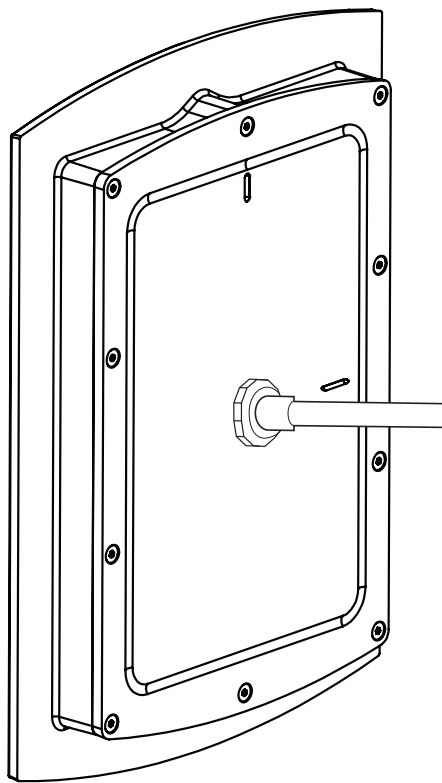
Connect the data cable to Power Distribution Module (PDM). (The other end of the cable runs to the back of the control in the shower location.)

5 Sealing Control

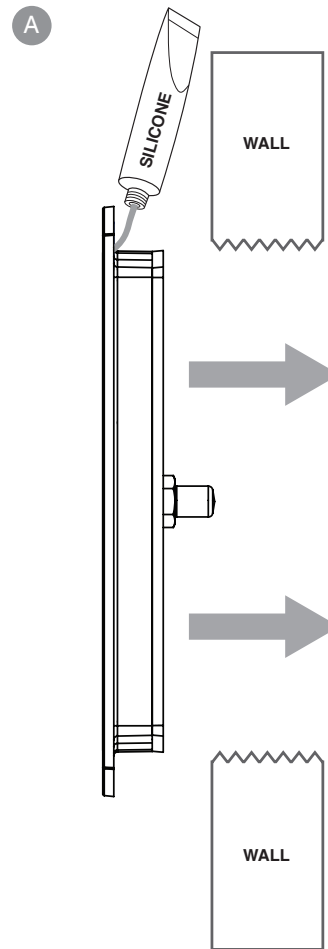
THESE STEPS MUST BE TAKEN FOR CORRECT INSTALLATION OF THE CONTROL. REMOVE MUD RING FROM WALL CUTOUT BEFORE MAKING FINAL CABLE CONNECTIONS TO THE THERMATOUCH CONTROL. TEST THAT ALL CONNECTIONS ARE WORKING BEFORE SEALING THE CONTROL TO THE WALL. (Power on the control and see that it lights up).

- A Coat the entire edge of the control with supplied waterproof silicone to fully seal the control to the wall. Completely seal the control to the wall so moisture does not collect behind it.

Place the control on the wall pressing firmly. (You may need to tape the control into place until the silicone dries.) Be careful not to harm the wall or control with the tape. Let dry for 24 hours before using steam bath.

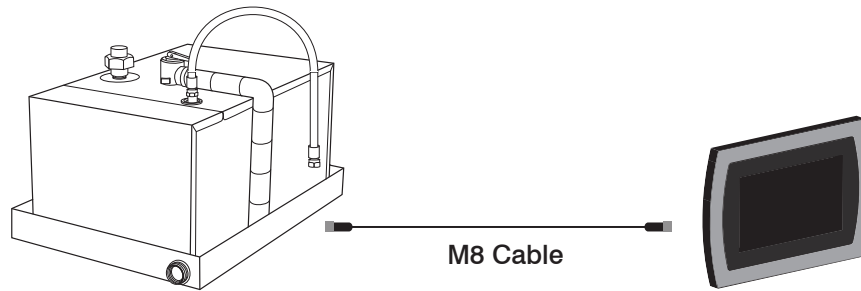


Back Side of Control
Vertical Install

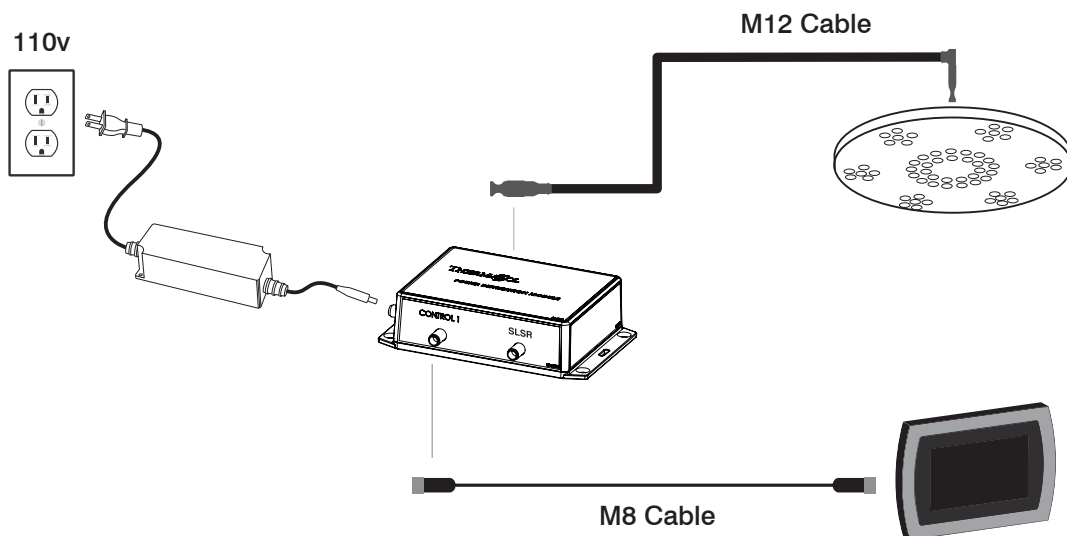


Side View of Control
Vertical Install

6a Connecting SignaTouch to the Generator

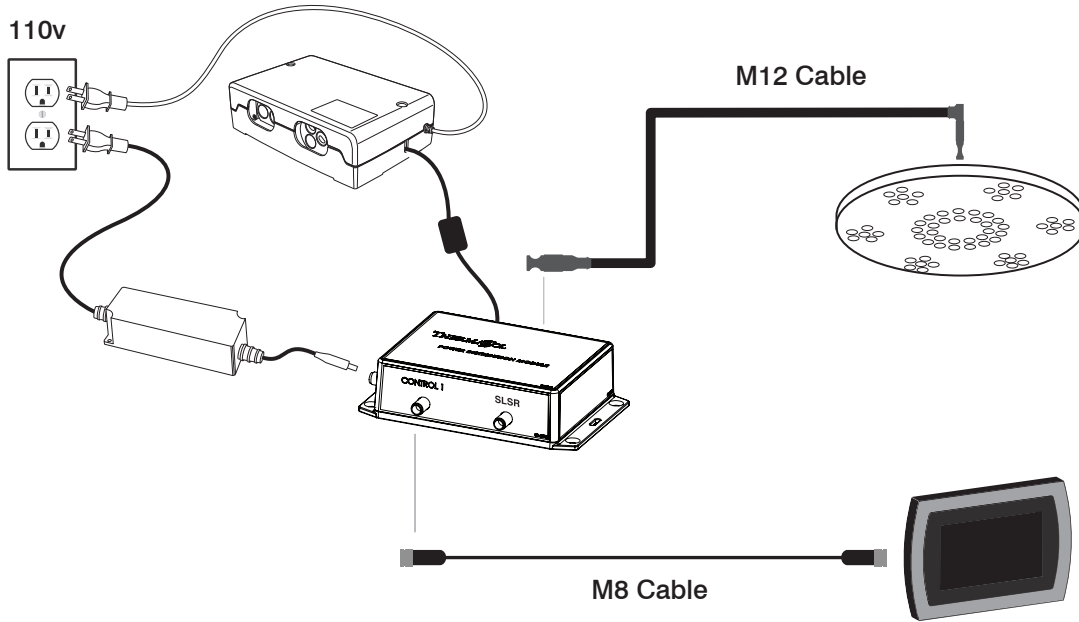


6b Connecting SignaTouch to Serenity Light, Sound, Rainhead (if applicable)

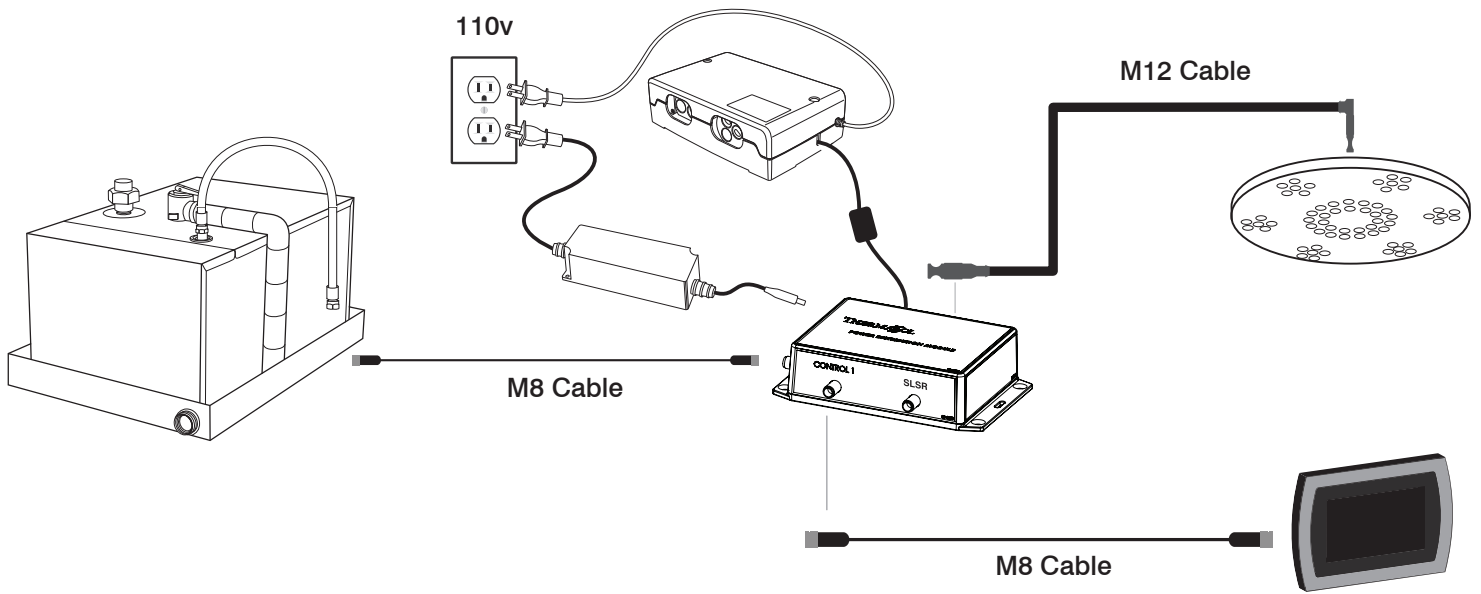


Read warnings on page 2. For illustrative purposes only. Consult with qualified professional for steam room construction details.

6c Connecting SignaTouch to Digital Shower



6d Connecting Total Wellness Package



Read warnings on page 2. For illustrative purposes only. Consult with qualified professional for steam room construction details.

7 Steam Line and Steamhead

Now you will need to decide on the steamhead placement in the shower so you can run the steam line from the generator to the steamhead. There are a couple of things you need to know about the placement of the steamhead and steam line itself.

DO NOT install any valve in the steam line. Flow of steam must be unobstructed.

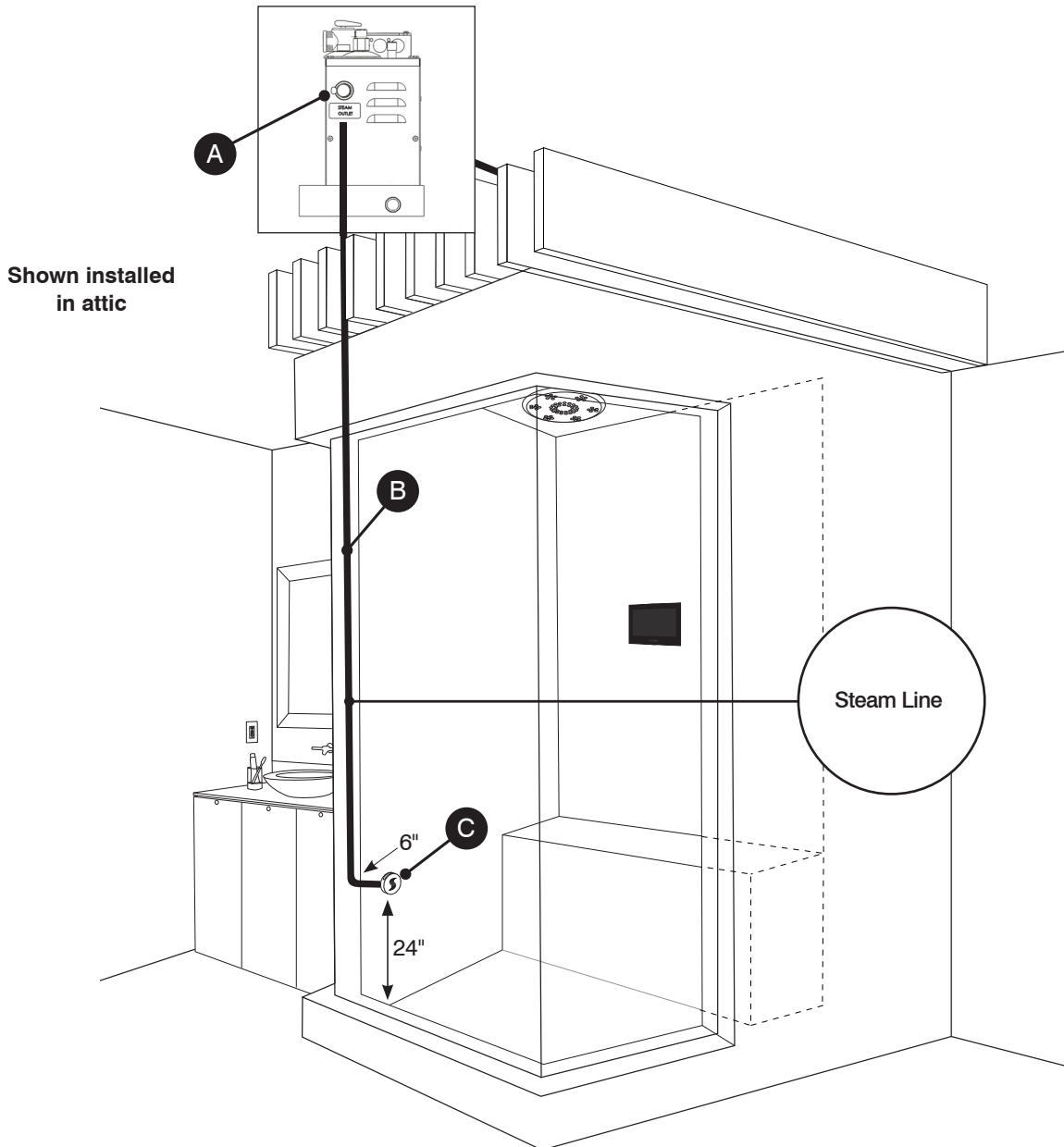
DO NOT plumb any traps in the steam line.

- A** The steam outlet on the generator requires a 1/2" brass union for easy installation (not included).
- B** Use 1/2" brass pipe or copper tubing from unit to steamhead rough-in fitting as permitted by code.

The steam line can run up and then down, once; or horizontal; but never run down and then up. If it does, a steam trap will be produced at the low point blocking the flow of steam.

Insulate the steam outlet piping if the piping run exceeds 10 feet or is exposed to cold areas. Use steam rated insulation.

Pitch/angle steam lines back towards generator before any up or down turns; pitch/angle towards steam room after any up or down and avoid perfectly level plumbed lines.



Steamhead Location

DO NOT install the steamhead near the seating area or the user.

DO NOT forget to install the steamhead rough-in fitting!

C Install the steamhead 24" from the floor or bathtub rim and 6" from any corner.

Steamhead is to be mounted as far as possible from typical bathing position (seated or standing) and installed as far from the in-shower controller as possible.

For retrofit to existing finish wall:

Drill a 1-1/8" diameter hole in the shower wall or wall above bathtub rim for the steam outlet rough-in fitting and install to be flush with the finished wall. this housing must be sealed to the wall to not allow vapor or water behind it. (plumbing must be done from backside of finished space)

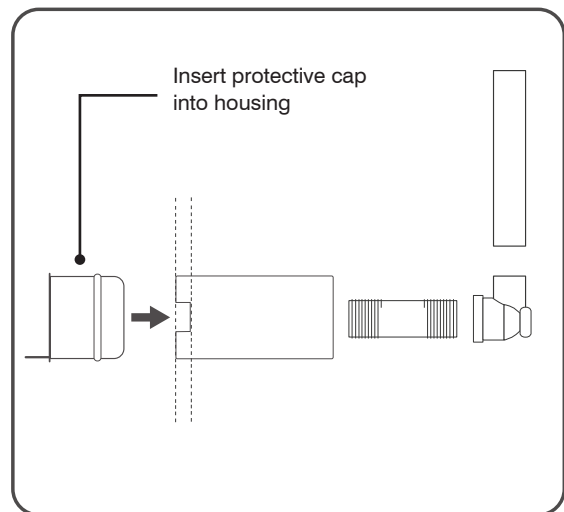
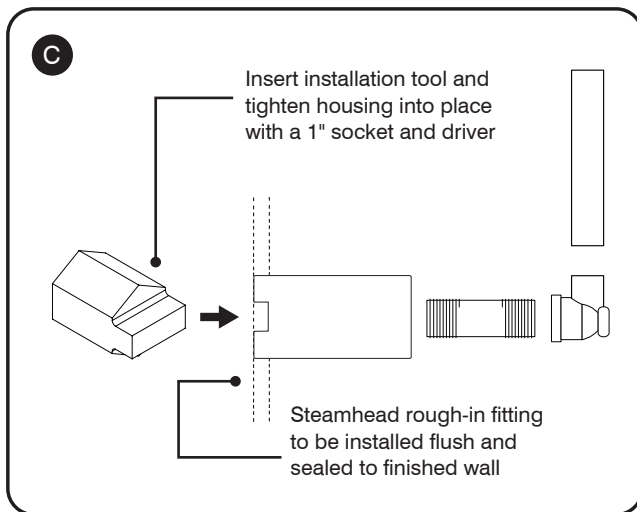
For new framing: Mount and install rough-in fitting to be flush with finished wall.

Connect a 1/2" NPT brass pipe or copper tubing to the steam outlet union (not included) on the generator running the pipe to the steam head location in the wall to connect with the steamhead rough-in fitting. It is very

important that the pipe is firmly secured to the wall, so that when the steamhead is installed it doesn't push the rough-in fitting back into the wall. Install a 1/2" drop elbow on the end of the 1/2" pipe or tubing for the rough-in fitting.

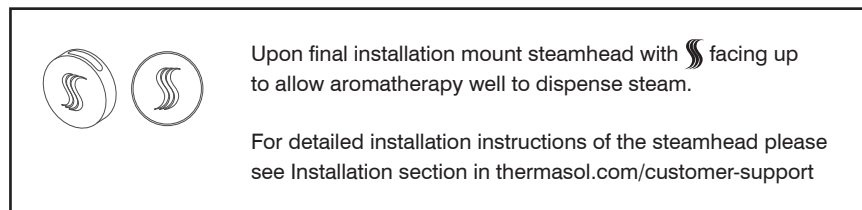
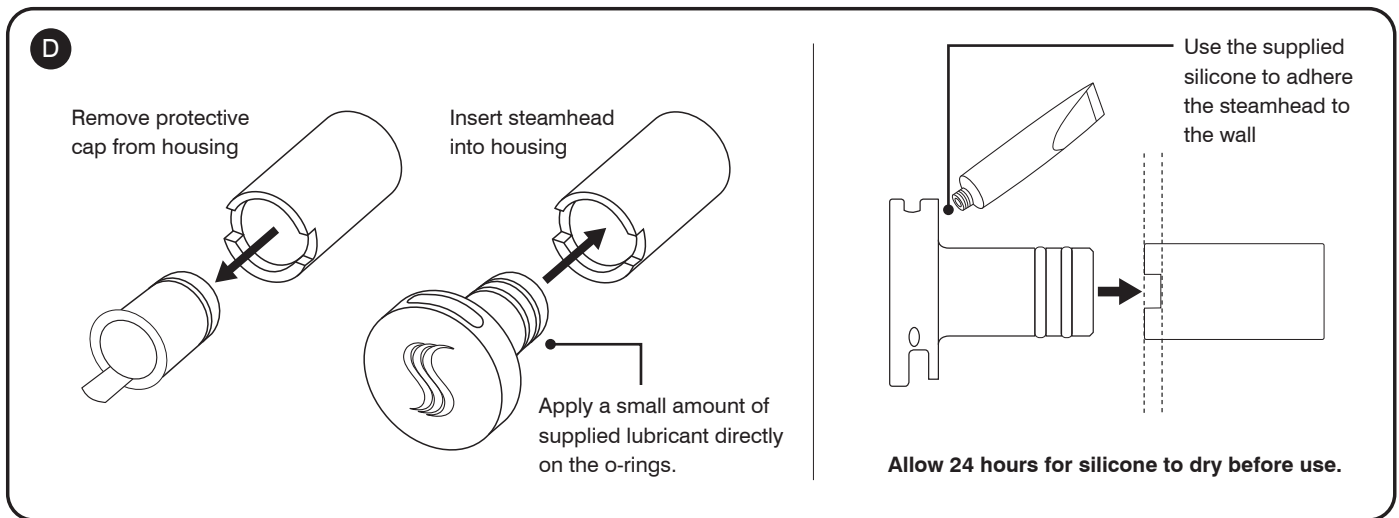
Use the installation tool to tighten the housing in place with a 1" socket and driver. Then insert the protective cap into the housing.

For all the connections, use solder for copper joints and Teflon tape for pipe fittings and do not over tighten fittings. **DO NOT USE PVC CEMENT.**



D Once the shower wall is complete and the housing is sealed to the wall, remove the protective cap and insert the steamhead into housing. Use the supplied silicone to adhere the steamhead to the wall sealing out any water from getting behind the head.

Use supplied o-ring lubricant to assist in steam head installation. A very small amount is all that is need directly on the o-rings.



8 Final Pre-Check Before Operation

Turn ON the water supply to the generator. Check all the connections for leaks.

Plug in generator (unless hardwired model).

Turn ON the power source or breaker.

Verify control panel lights up and test operation. Note: Initial power-on phase takes several minutes for generator to heat up steam.

Please direct the home owner to visit www.thermasol.com/solution and click on the "I'm the home owner" button to learn about set-up and programing (in order to set up the clock and any other options if applicable).

9 Trouble Shooting, Tutorials and Error Codes

Visit www.thermasol.com/solutions. Click on Troubleshoot then click on SignaTouch Control Error Codes.

ThermaSol uses the following open source project:
Qt5-GUI Framework-www.qt.io-LGPLv3

