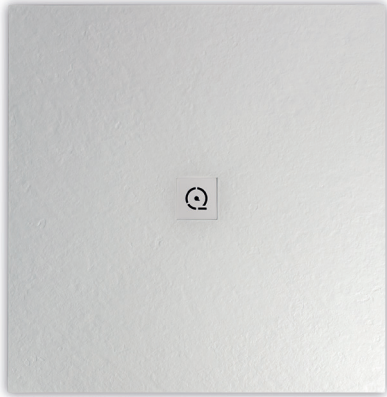


Relief Plus XL



Available Texture

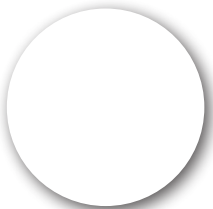


SLATE

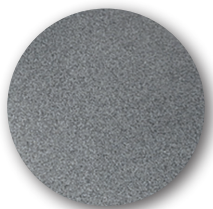
A 48" | B 48"

Anti-slip Class C / PN 24

Available Colors*

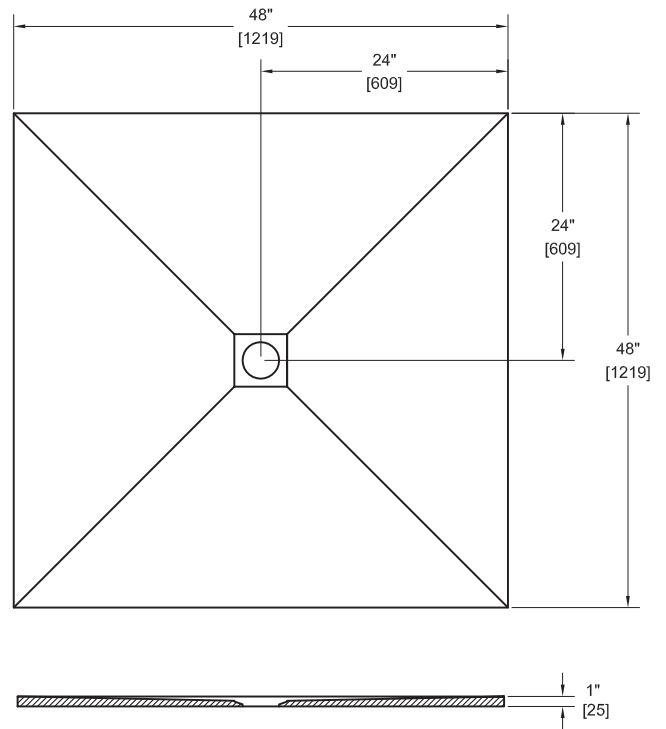


PURE WHITE



GRAPHITE

*Other colors and textures available upon request



Technical characteristics may be modified without prior notice. Dimensional tolerances +/-5mm.

Drain Covers



DRAIN COVER INCLUDED, IN THE SAME COLOR AS THE SHOWER BASE

Recommended Drains



ZURN:
FD2275



OATEY:
42049 - PVC



OATEY:
42150 - BRASS



EASTMAN:
15303 - PVC



Guarantee 5 Years.



Quarex Material.
Resin + mineral fillers.



Cut to size.
It can be cut on site.



Installation: embedded (suitable for people with reduced mobility) or raised.
Please consult the installation manual.



High Coating UV resistance.



SUPERIOR HARDNESS coating (<0.01 mm, according to UNE EN 14688; maximum allowed 0.1 mm).



Coating with excellent resistance to hydrolysis.



Packaging in reinforced cardboard with wooden structure.



Anti-bacterial treatment R<2 ISO 22196.