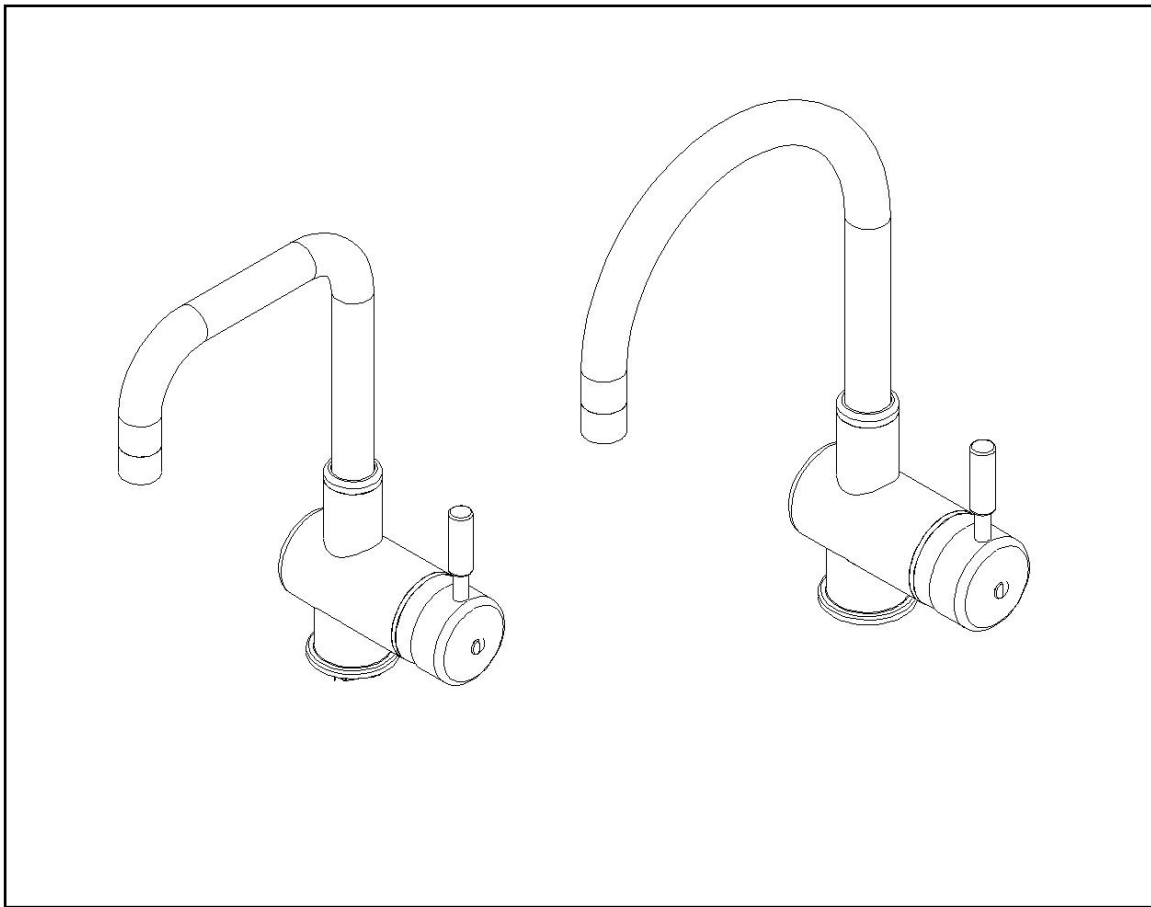


INSTALLATION INSTRUCTIONS
SINGLE BAR / KITCHEN
DECK FAUCET
Model No: 2007, 2008

NEWPORT BRASS
Quality Since 1873



Congratulations on the purchase of this Newport Brass product, an excellent choice, that will give you years of quality service and enhance the look and style of your home.

Recommended Installation by a Professional Plumbing Contractor

Note: The use of petroleum base plumbers putty on our products will nullify the warranty. We recommend the use of clear silicone sealing materials. Recommended deck thru hole \varnothing 1.25" to \varnothing 1.38

I. INSTALLING FAUCET ON SINK (See Fig 1)

- Slide the BASE (2) over STUD (1).
- Place O-RING (3) between BASE (2) and deck surface.
- Align STUD (1) to the left of sink. Place GASKET (4), CRESCENT (5), and NUT (6) onto STUD (1).
- Firmly tighten NUT (6) with wrench.

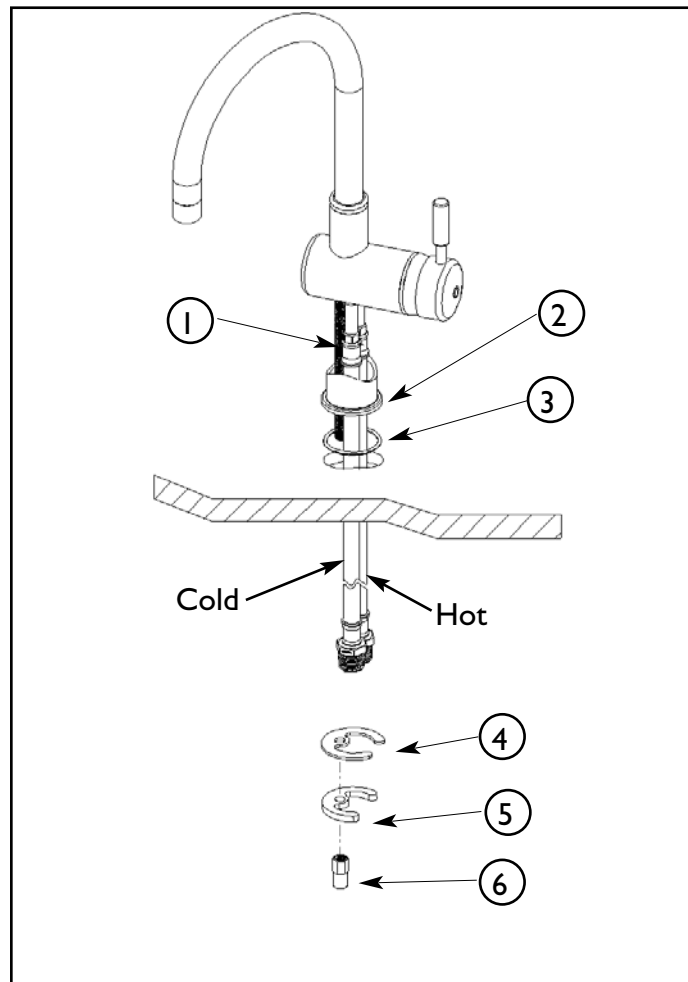


Figure 1

2. ATTACHING WATER CONNECTIONS TO SUPPLY (See Fig 2)

Attach faucet 1/2 MIP HOSES (6) to risers and water supply valves not included. **See Figure 2.**

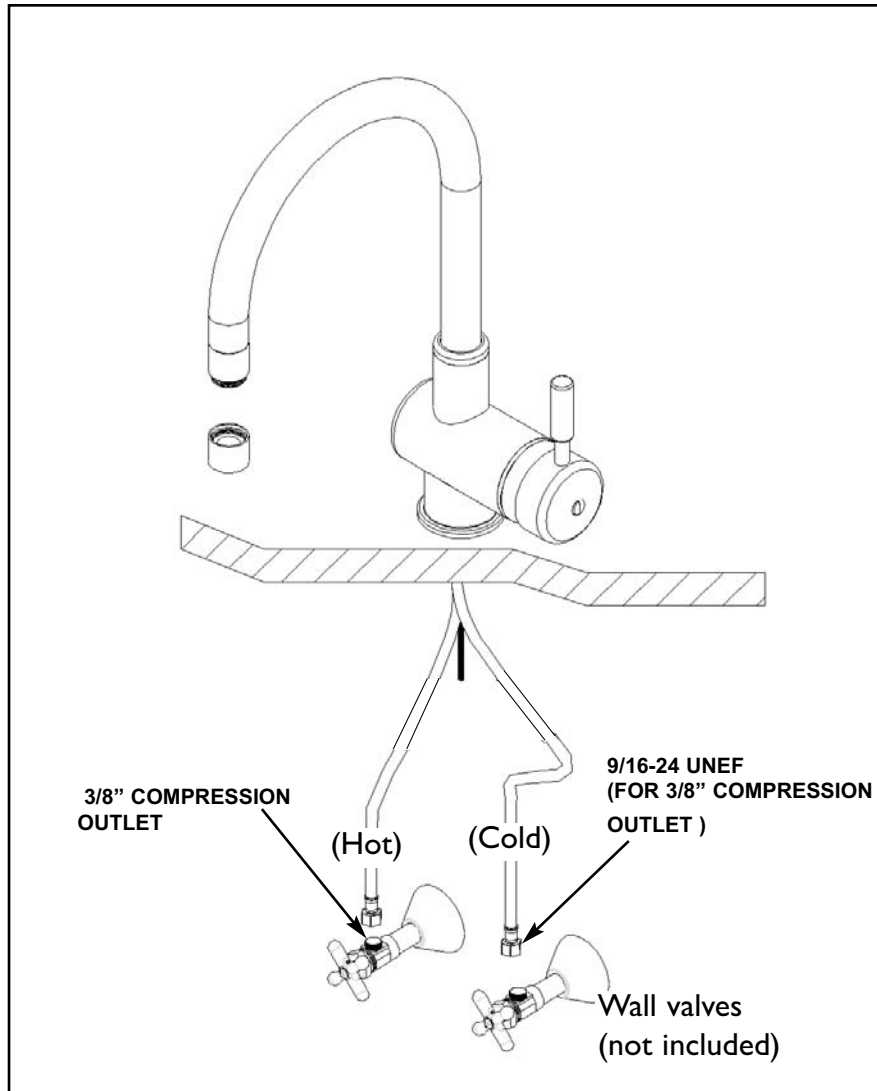


Figure 2

3. TEST INSTALLED FAUCET

- With handle in OFF position, turn on water supplies and check all connections for leaks.
- Remove spout aerator and operate handle in both hot and cold positions to flush water lines thoroughly. Reattach aerator to spout after flushing lines.