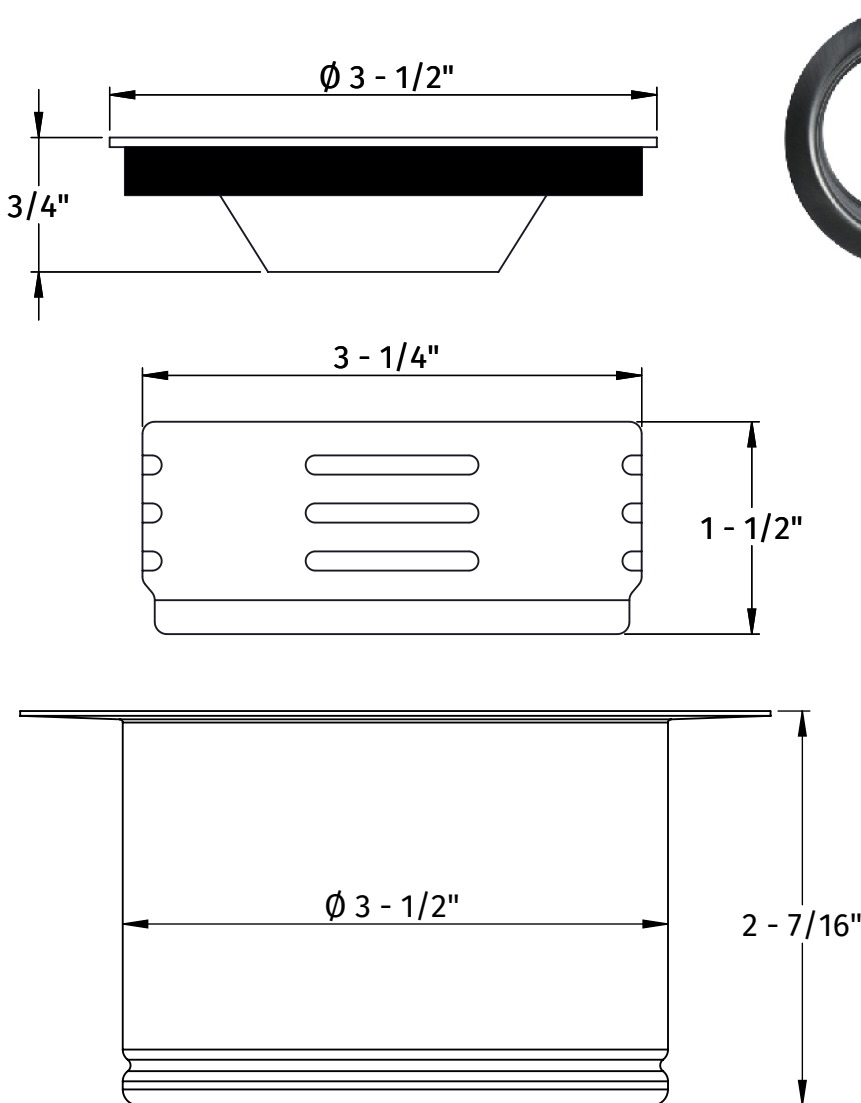


# MT130

## 3-IN-1 COMPLETE STOPPER & STRAINER UNIT WASTE DISPOSER TRIM - EXTENDED FLANGE

### SPECIFICATION SHEET



- REMOVABLE STOPPER LID AND STRAINER BASKET
- COMPLETE STRAINER W/ COLLAR
- FOR CONTINUOUS FEED MODELS ONLY
- AVAILABLE IN EXTENDED FLANGE ONLY
- BOLTS FOR INSTALLATION ON THINNER SINKS INCLUDED
- COMPATIBLE WITH THE FOLLOWING FOOD WASTE DISPOSER MODELS:
  - INSINKERATOR (ISE) - OLD & NEW MODELS
  - PERFECT GRIND® 3-BOLT MOUNT
  - KENMORE
  - MAYTAG
  - ACE
  - JENN-AIR
  - KITCHEN AID
  - WHIRLPOOL
  - ALL DISPOSERS WITH 3-3/8" I.D. & 3-BOLT MOUNT

#### WARRANTY

FOR WARRANTY INFO PLEASE VISIT [WWW.MOUNTAINPLUMBING.COM/PAGE/RESOURCES/WARRANTY](http://WWW.MOUNTAINPLUMBING.COM/PAGE/RESOURCES/WARRANTY)

#### FINISH CARE & MAINTENANCE

NEVER USE ANY HARSH ALKALI, ACID BASED DETERGENTS OR CLEANERS SUCH AS SOFT SCRUB®, SCRUBBING BUBBLES® OR COMET® TO CLEAN. DO NOT USE BRILLO® OR SCOTCH BRITE® PADS. THESE WILL ALL HARM THE FINISH. TO CLEAN, USE ONLY A DAMP SOFT CLOTH AND WIPE GENTLY. STANDARD WINDEX® CAN ALSO BE USED SPARINGLY. IT IS NOT NECESSARY TO WIPE HARD TO REMOVE SPOTS. TO MAINTAIN THE FINISH, WIPE WITH A SOFT DRY CLOTH AFTER USE. AN OCCASIONAL COAT OF PURE CARNAUBA WAX WITHOUT CLEANERS WILL HELP PROTECT THE FINISH.

SPECIFICATIONS SUBJECT TO CHANGE WITHOUT NOTICE