

SALAD MIXER MWSM-651GPSB



- **FEATURES**

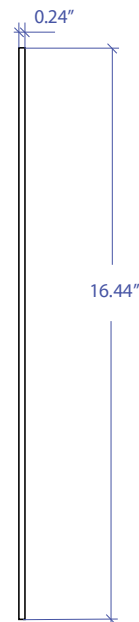
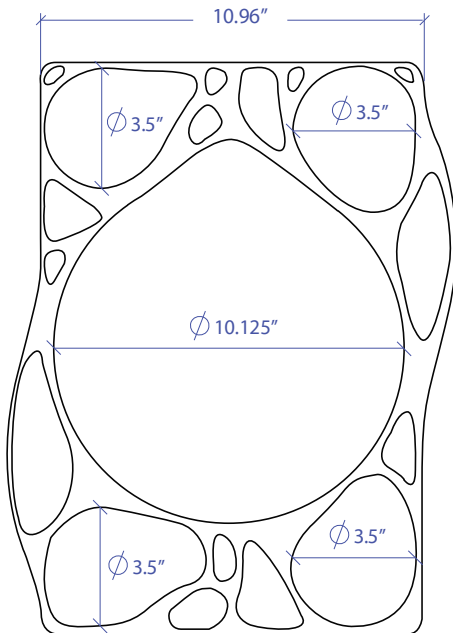
Stainless steel construct
Removable salad mixer

- **TECHNICAL INFORMATION**

Dimension: 16.44"Lx12.95"W
Thickness: 0.24"
Corner: 0.5" round

- **FINISHES**

Graphite Satin Brushed stainless steel



PROJECT INFORMATION			
Project			
Date	/	/	QTY
Specifier			
Contact			
Note			