



Hudson™
Wall-mount Bathroom Sink
K-2805

Features

- Made from premium materials that withstand high-volume usage
- Constructed KOHLER® Cast Iron
- 19"L x 17"W
- Wall-mount installation
- Faucet not included

Recommended Products/Accessories

K-8998 P-Trap

Included Components

Additional Components:

Hanger(s)



ADA

Codes/Standards

ASME A112.19.1/CSA B45.2

ADA

ICC/ANSI A117.1

**Lifetime Limited Warranty for
KOHLER® Cast Iron Components**

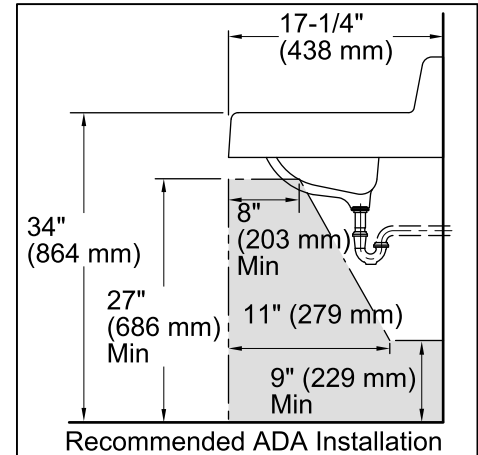
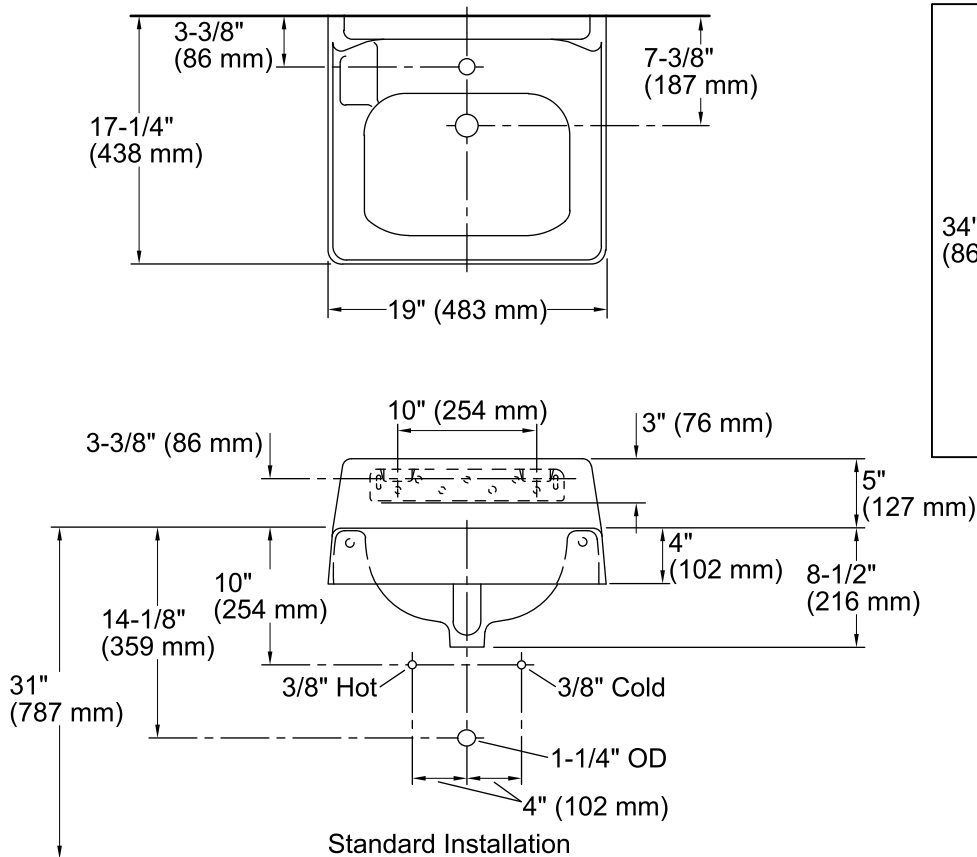
See website for detailed warranty information.

Available Colors/Finishes

Color tiles intended for reference only.

Color Code Description

■ 0 White



Technical Information

All product dimensions are nominal.

Bowl configuration:	Single
Installation:	Wall-mount
Bowl area (Only):	Length: 15" (381 mm) Width: 10" (254 mm) Water depth: 5" (127 mm)
Number of deck holes:	1
Faucet hole(s):	1-3/8" (35 mm)
Drain hole:	1-3/4" (44 mm)

Notes

Install this product according to the installation instructions.

ADA compliant when installed to the specific requirements of these regulations.