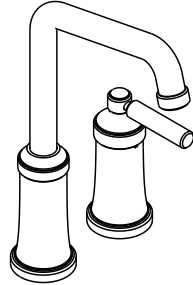


# KALLISTA® Entertainment Faucet with Remote Valve

---

## INSTALLATION INSTRUCTIONS



P25005


# KALLISTA® Entertainment Faucet with Remote Valve

## INSTALLATION INSTRUCTIONS

### THANK YOU FOR CHOOSING KALLISTA

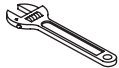
We appreciate your commitment to Kallista quality products. Please take a moment to review this manual before you install your Kallista product. If you encounter any installation or performance problems, please do not hesitate to contact us at the phone number listed at the bottom of the page.

### BEFORE YOU BEGIN

 **CAUTION:** Risk of fresh water contamination. To prevent water contamination, do not remove any components from this faucet. This faucet contains back-siphonage protection.

- Observe all local plumbing and building codes.
- Shut off the main water supply.
- Inspect waste and supply tubing for damage. Replace if necessary.
- Before installation, unpack the faucet and inspect for damage.
- For new installations, assemble the faucet to the sink before installing the sink.
- Kallista reserves the right to make revisions in the design of faucets without notice, as specified in the Price Book.

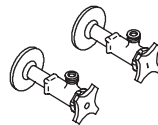
### TOOLS AND MATERIALS



Adjustable  
Wrench



1-3/8" D.  
Hole Bit



Two 3/8" Male  
Supply Connections

Plus:

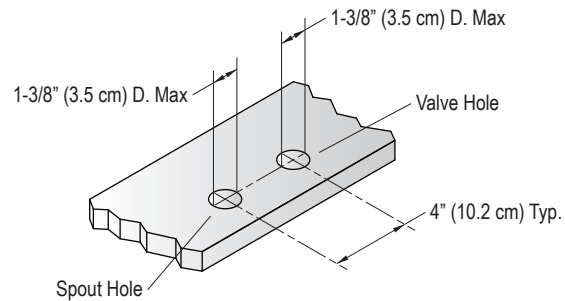
- Rags
- Cable Tie  
(optional)
- Bucket

# KALLISTA® Entertainment Faucet with Remote Valve

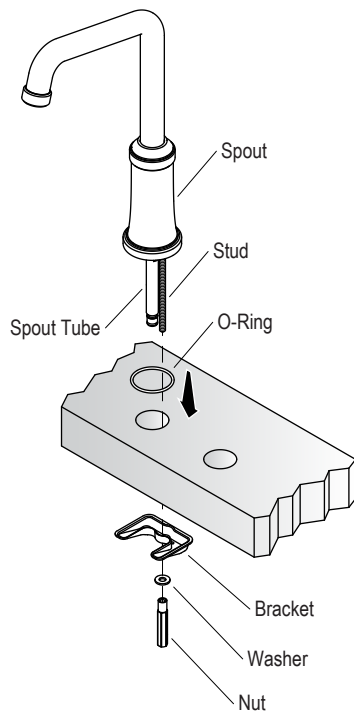
## INSTALLATION INSTRUCTIONS

### INSTALLATION

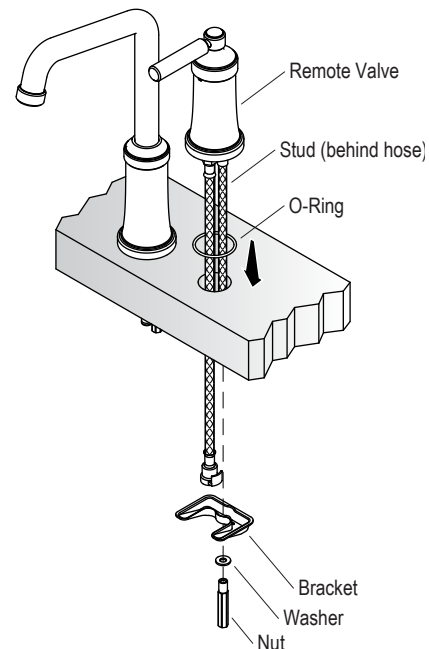
- 1. NOTE:** Locate the remote valve 4" (10.2 cm) from the spout. Refer to the countertop manufacturer for proper hole drilling procedure.



- 2.** Install the O-ring into the groove in the base of the spout, then fit the spout tube and stud through the drilled hole. Secure the spout to the countertop with the bracket, washer and nut.



- 3.** Install the O-ring into the groove in the base of the remote valve, then fit the hoses and stud through the drilled hole. Secure the remote valve to the countertop with the bracket, washer and nut.

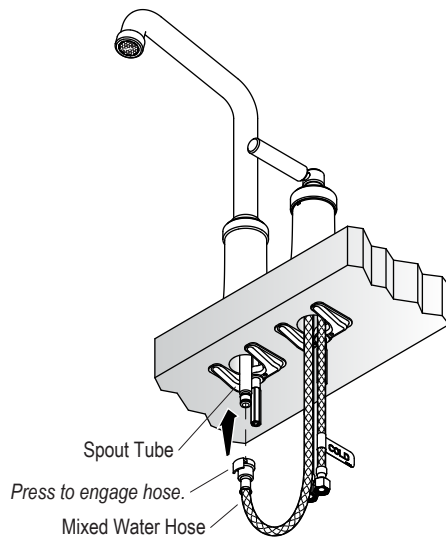


# KALLISTA® Entertainment Faucet with Remote Valve

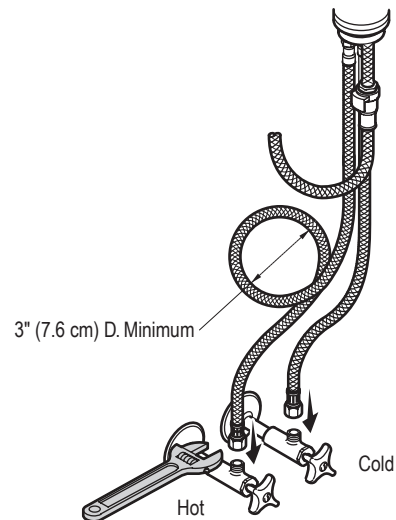
## INSTALLATION INSTRUCTIONS

### INSTALLATION

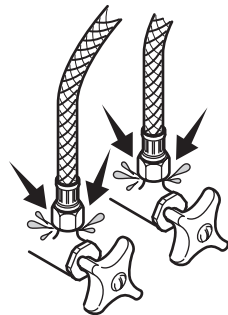
- 4.** Connect the mixed water hose from the valve to the spout tube.



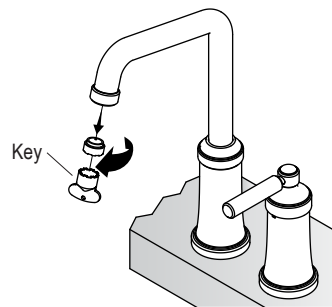
- 5.** Connect and tighten the supply hoses.  
**NOTE:** If the sink installation requires that you coil the supply hoses, maintain a 3" (7.6 cm) diameter minimum inside coil.



- 6.** Turn on the main water supply. Check for leaks. Repair as needed.



- 7.** Remove the aerator.

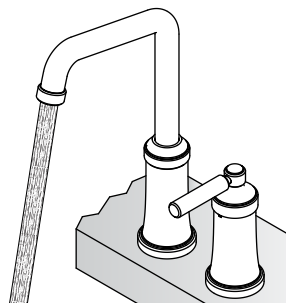


# KALLISTA® Entertainment Faucet with Remote Valve

## INSTALLATION INSTRUCTIONS

### INSTALLATION

**8.** Flush the lines.



**9.** Reinstall the aerator. **DO NOT** overtighten.  
**NOTE:** Retain the key for future use.

