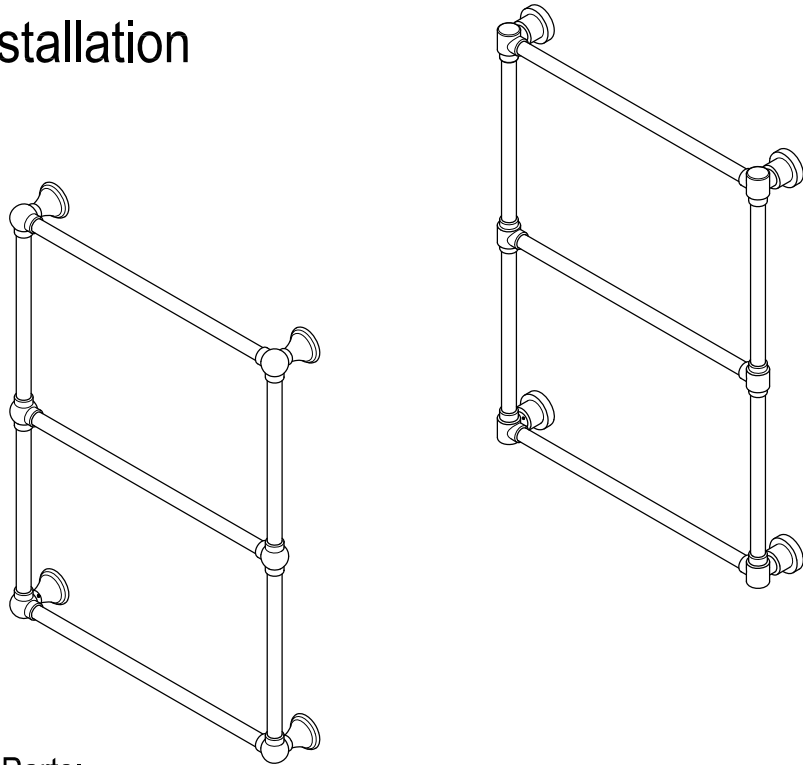


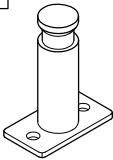
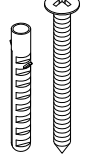


KINGSTON

KITCHEN & BATH

Wall Mount Towel Rack Installation

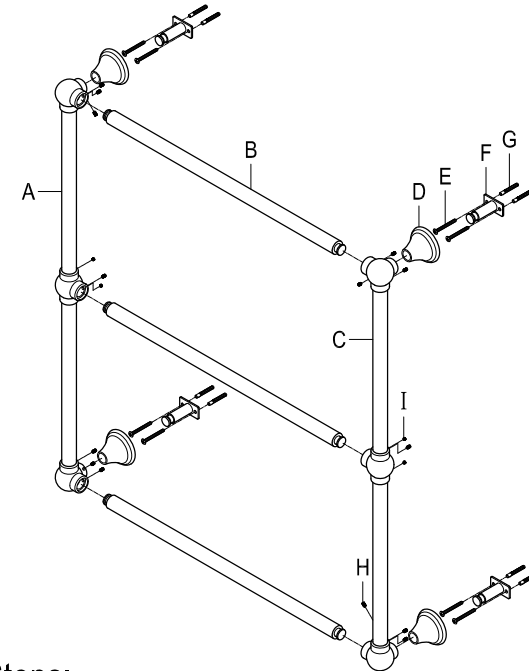


Parts:

Mounting Bracket	Mounting Screw & Anchor	Set Screw	
		M5 x 8	M5 x 4
F  4 Pcs	E G  8 Pcs	H  14 Pcs	I  4 Pcs

www.kingstonbrass.com
TOLL-FREE CUSTOMER SERVICE: 1-877-2-KBRASS
TECHNICAL SUPPORT E-mail: service@kingstonbrass.com
12775 Reservoir Street, Chino, CA 91710

TOOLS REQUIRED



Installation Steps:

- Step 1. The straight tube (part B) and the support bar (part A & C), secure together using the provided set screws (part H) and Allen wrench. Repeat on other side and with the remaining straight tube.
- Step 2. The mounting bracket (part F) and the support bar (part A & C), secure together using the provided set screws (part H) and Allen wrench.
- Step 3. Place towel rack at the desired location with a pencil, mark the location of the mounting screws (part E) on the wall. Drill holes at the marked locations.
- Step 4. Insert anchors (part G) into the holes with a hammer until flush with the wall.
- Step 5. Need to loosen the mounting bracket (part F) from the towel rack, then screw the mounting bracket (part F) to the wall with the mounting screws (part E).
- Step 6. Placed the flange (part D) into the mounting bracket (part F).
- Step 7. Insert towel rack into the mounting bracket (part F) and secure the set screw (part H) tightening with an Allen wrench.
- Step 8. Check that all screws are tight and secure on your completed towel rack.

Cleaning

Clean with a damp cloth only.
Avoid using metal or abrasive polishes.