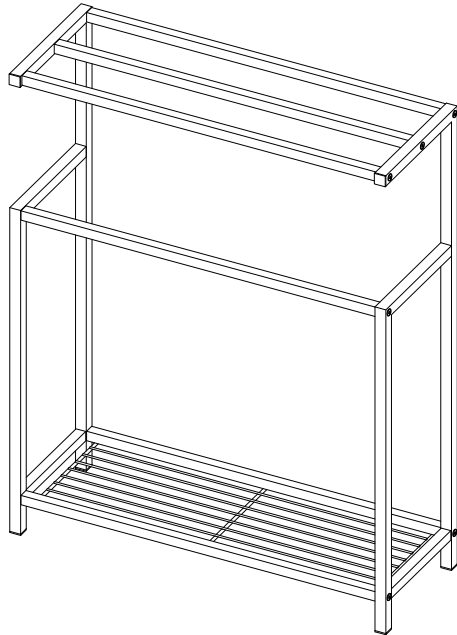


KINGSTON

KITCHEN & BATH

Freestanding Steel Frame Towel Rack Installation



Parts:

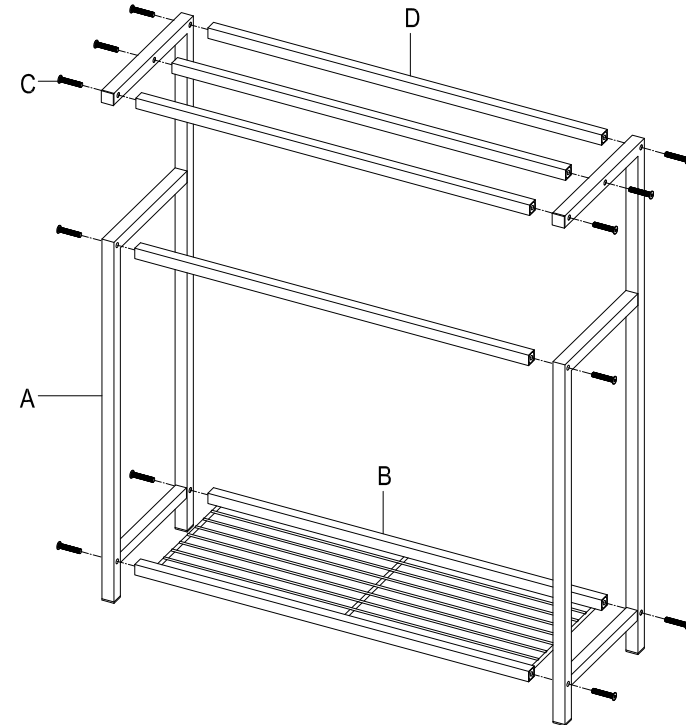
| □ Shape | Base Rack | Straight Tube |
|-----------------------|-------------------------------|-----------------------|
| A 2 Pcs | B 1 Pc Screw | D 4 Pcs |
| | C 12 Pcs | |

www.kingstonbrass.com
TOLL-FREE CUSTOMER SERVICE: 1-877-2-KBRASS
TECHNICAL SUPPORT E-mail: service@kingstonbrass.com
12775 Reservoir Street, Chino, CA 91710

TOOLS REQUIRED



Allen Wrench



Installation Steps:

- Step 1. Locate the base rack (part B) and the □ shape (part A), secure together using the provided screws (part E) and Allen wrench. Repeat for the other end.
- Step 2. After completing step 1 with the straight tube (part C) and the □ shape (part A), secure together using the provided screws (part D) and Allen wrench. Repeat on other side and with the remaining straight tube.

Cleaning

Clean with a damp cloth only.
Avoid using metal or abrasive polishes.