

### STEP 9

Place the sink into the cut out opening and be sure it is properly seated, Make sure the sink rim covers caulking all round. Insert the clips into the U shape channels at the backside of the sink rim. ( recommended clip placement, two clips on each rim, Figure 4)

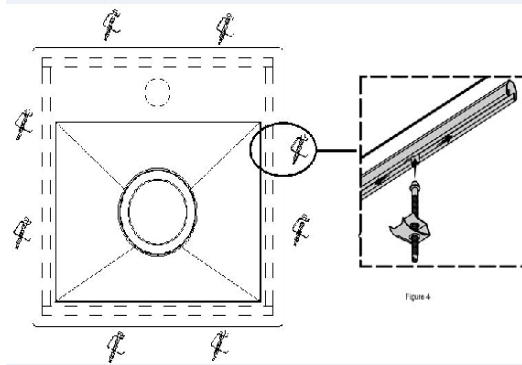


Figure 4

### STEP 10

Rotate the clip, tighten to secure sink, do not over tighten as damage can result. (Figure 5)

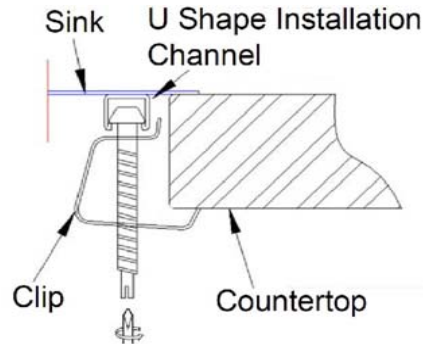


Figure 5

### STEP 11

Take out fastener, screws and plastic nuts, for under mount installation. Drill hole from the back side of countertop, and put the plastic nut in it for connecting screws. Attach the iron fastener with screws, make sure one end of fastener holds the sink rim, while another end touches the backside of countertop. (Figure 6)

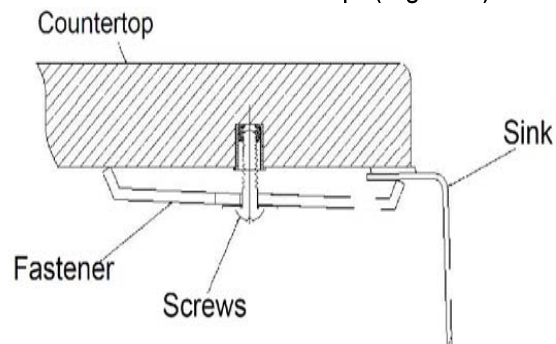
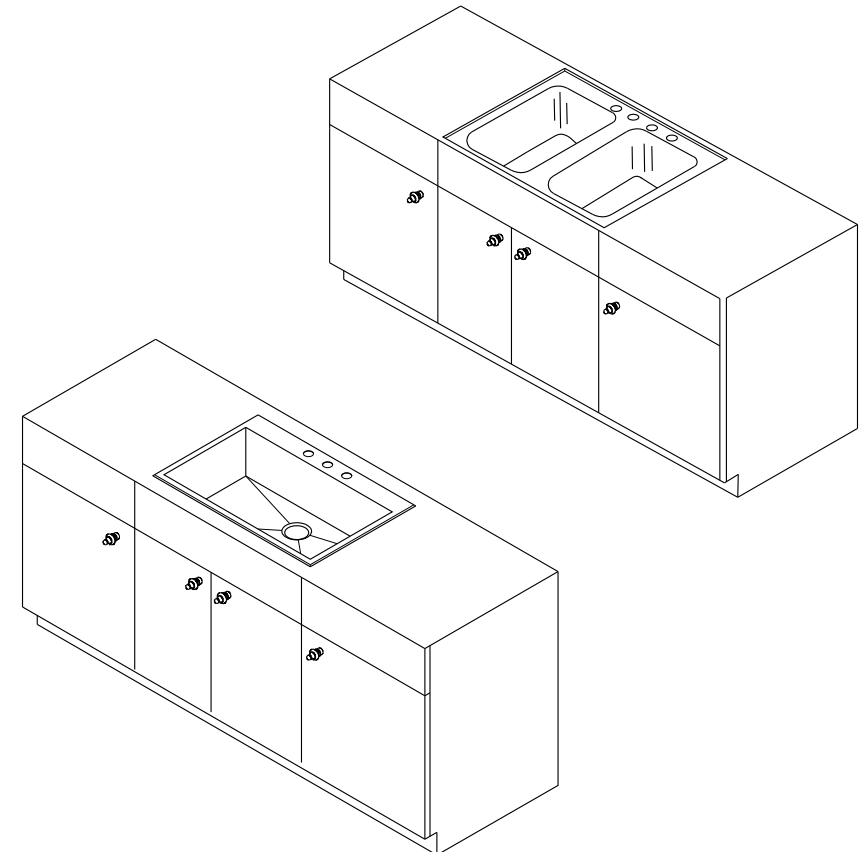


Figure 6

### STEP 12

Install drain and water supply fittings as necessary. and Run water into the sink and check for leaks.



[www.kingstonbrass.com](http://www.kingstonbrass.com)

TOLL-FREE CUSTOMER SERVICE: 1-877-2-KBRASS

TECHNICAL SUPPORT E-mail: [service@kingstonbrass.com](mailto:service@kingstonbrass.com)

12775 Reservoir Street, Chino, CA91710



## KINGSTON BRASS INSTALLATION INSTRUCTIONS DUAL MOUNT SELF-RIMMING OR UNDERMOUNT SINK

These installations are for installing Kingston Brass Dual Mount stainless steel sink, which can either installed above the countertop or installed under the countertop. Before you are installing sink, be sure you keep the paper template on hand as a guide, and physical use of the sink will ensure a more accurate cutout.

**Note:**  
It is recommended that all countertops be cut by an approved or certified installer and the sinks be installed by the installer whenever possible. The countertop/sink unit ideally should be installed as one on the jobsite. Before installing the sink, inspect it for damage. Do not install a damaged unit. Remember, it is your responsibility to follow all local plumbing and building codes. The warranty will be voided if these installation instructions are not followed.

**STEP 1**  
Remove your new sink from the carton. Use caution as sink edges may cause minor cuts. Wear safety gloves for your protection.

**STEP 2**  
If you are replacing old sink, remove old one and verify existing countertop opening will fit your new sink by setting it temporarily.

**STEP 3**  
If you are installing a sink to a new counter top, please follow directions as shown. (Please check carefully paper template that comes with the sink, and choose top mount installation or under mount installation cut out lines accordingly)

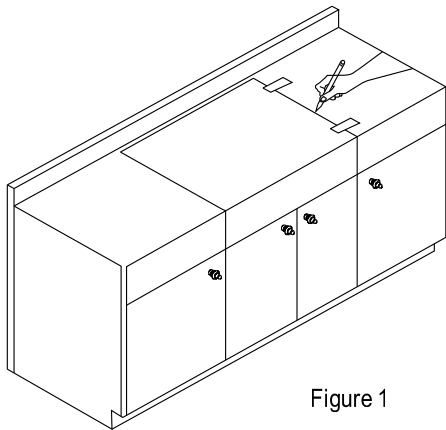


Figure 1

**STEP 4**  
Place paper template on the counter top in desired position, tape the template in place and trace completely outside line using soft lead pencil.(Figure 1).

**STEP 5**  
Drill hole at the inside corner of the cutout lines.(Figure 2)

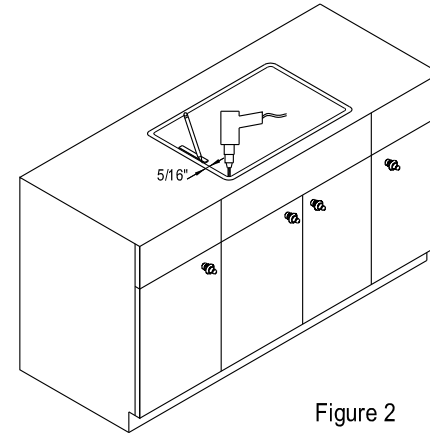


Figure 2

**STEP 5**  
Drill hole at the inside corner of the cutout lines.(Figure 2)

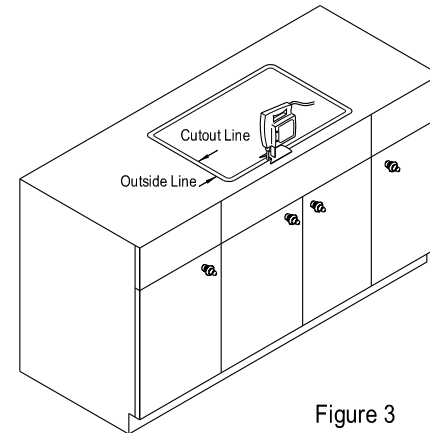


Figure 3

**STEP 6**  
Using a jig saw, start cutting from the drilled hole along the cutout line.(Figure 3)

**STEP 7**  
Apply caulking compound around the perimeter of the cutout opening.

**STEP 8**  
Attach faucet and strainer s as necessary according to the manufacturer's instructions. (Verify your sink installation channel and clips that come with the sink and follow proper instructions, STEP 9 is only carried when this sink installed as top mount style, if this sink is installed as under mount style, please follow STEP 11 directly.)