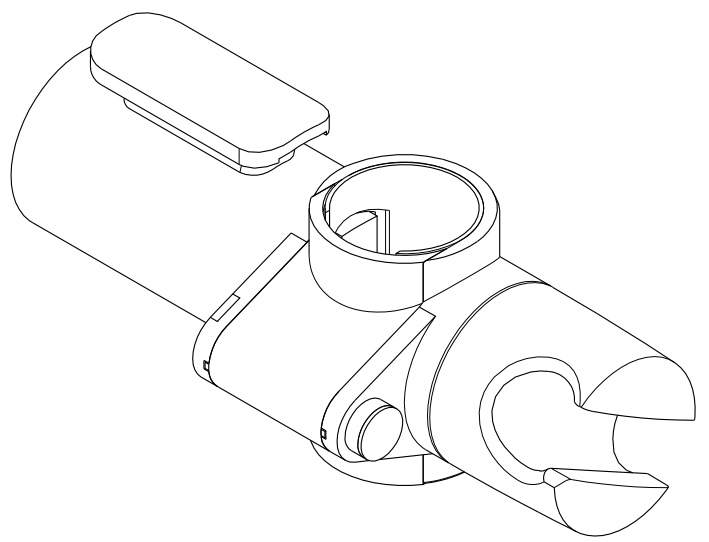


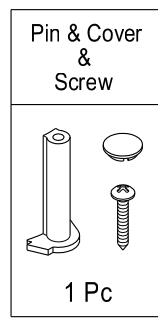
KINGSTON BRASS

THE TRADITION OF FINE BRASS

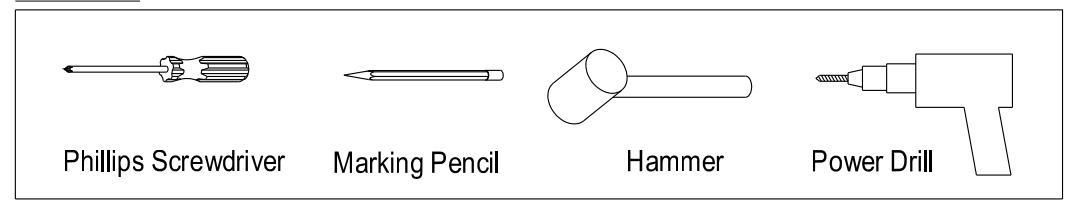
Add-On Shower Holder for Grab Bar Installation



Parts:



Need Tools:



Installation:

<p>1</p>	<p>1. Remove the grab bar from wall and slide the sleeve and base onto bar.</p>	<p>2</p>	<p>2. Slide clamp into place.</p>
<p>3</p>	<p>3. Insert pin and tighten with set screw gently till fully secure.</p>	<p>4</p>	<p>4. Insert cap over screw, then push down on button to move slider. Follow grab bar installation instruction and reinstall grab bar back to the wall.</p>

www.kingstonbrass.com
 TOLL-FREE CUSTOMER SERVICE: 1-877-2-KBRASS
 TECHNICAL SUPPORT E-mail: service@kingstonbrass.com
 12775 Reservoir Street, Chino, CA91710