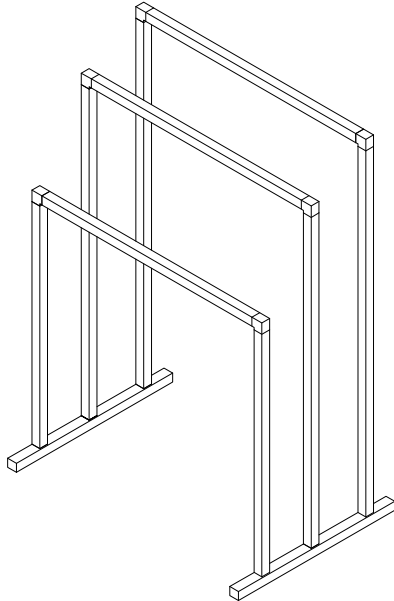



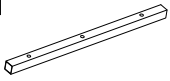
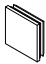
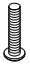
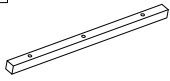
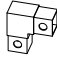

KINGSTON

KITCHEN & BATH

Pedestal 3-Tier Steel Frame Towel Rack Installation

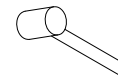


Parts:

| Straight Tube | | Base | | Sift Head | | Screw | |
|---|-----------|---|--|---|--|---|--|
|  | |  | |  | |  | |
| 9 Pcs | | 2 Pcs | | 4 Pcs | | 6 Pcs | |
| A | 19-1/8" | Counterweight rod | | Two-way connector | | Gasket | |
| B | 26" |  | |  | |  | |
| C | 28-13/16" | 2 Pcs | | 6 Pcs | | 4 Pcs | |
| D | 31-5/8" | | | | | | |

www.kingstonbrass.com
 TOLL-FREE CUSTOMER SERVICE: 1-877-2-KBRASS
 TECHNICAL SUPPORT E-mail: service@kingstonbrass.com
 12775 Reservoir Street, Chino, CA 91710

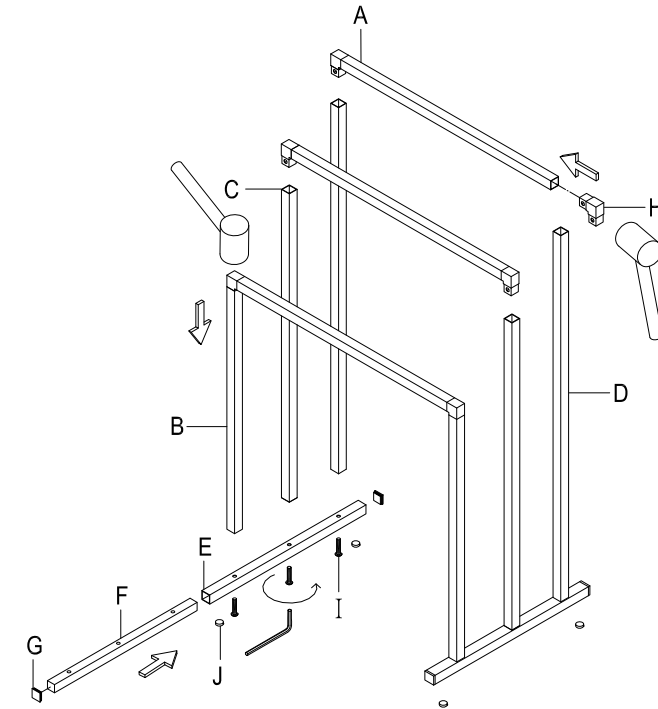
TOOLS REQUIRED



Rubber Mallet



Allen Wrench



Installation Steps:

- Step 1. Using a rubber mallet, gently tap the two-way connectors (part H) into the straight tube (part A). Repeat on the other side and for the remaining 2 pieces.
- Step 2. After completing step 1 with parts A. Locate parts B, C, and D. With the rubber mallet, tap the free end of the two-way connectors (part G) that is connected to part A into parts B, C, and D. Repeat for the other side.
- Step 3. Next, locate the counterweight rod (part F) and insert into the base (part E). Repeat for the other end. After insertion, locate the screws (part I) provided and secure them into (part E) and parts B, C, and D by tightening with an Allen wrench.
- Step 4. Locate the sift heads (part G) and insert into both ends of part E.
- Step 5. To complete the installation, use the gaskets (part J) to cover the 4 exposed holes on the bottom of the base. This helps prevent direct contact with the floorboard and extends product life.

Cleaning

Clean with a damp cloth only.
 Avoid using metal or abrasive polishes.