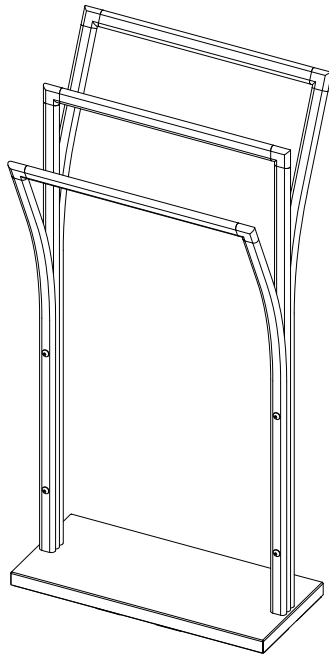


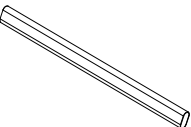


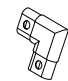
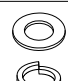
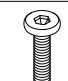

KINGSTON

KITCHEN & BATH

Pedestal Y Style Steel Frame Towel Rack Installation

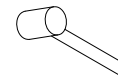


Parts:

Straight Tube		J Shape(long)	J Shape(short)	Two-way connector	
		 2 Pcs	 2 Pcs	 6 Pcs	
		Washer  2 Pcs	Screw(long)  2 Pcs	Sleeve & Screw(short)  4 Pcs	
A	13-3/4"	3 Pcs			
B	29"	2 Pcs			

www.kingstonbrass.com
 TOLL-FREE CUSTOMER SERVICE: 1-877-2-KBRASS
 TECHNICAL SUPPORT E-mail: service@kingstonbrass.com
 12775 Reservoir Street, Chino, CA 91710

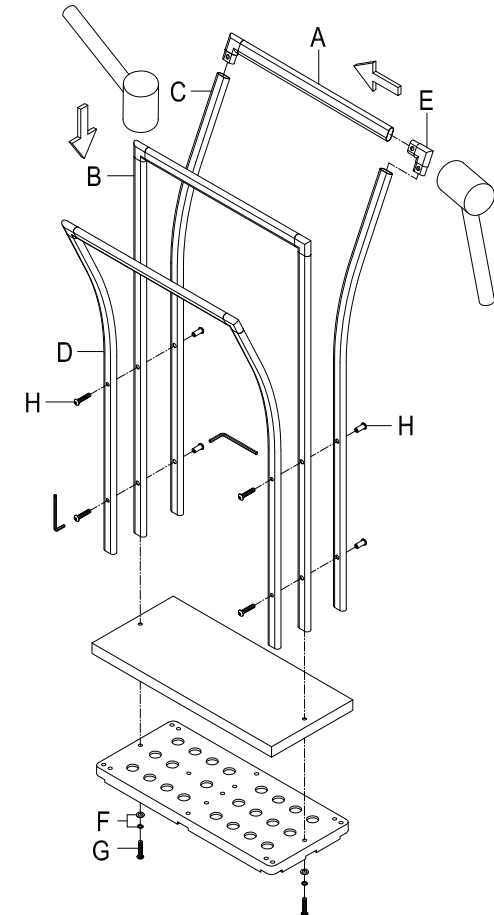
TOOLS REQUIRED



Rubber Mallet



Allen Wrench



Installation Steps:

- Step 1. Using a rubber mallet, gently tap the two-way connectors (part E) into the straight tube (part A). Repeat on the other side and for the remaining 2 pieces.
- Step 2. After completing step 1 with parts A. Locate parts B, C, D and E.
- Step 3. Then the straight tube (part B) and J Shape (part C,D), secure together using the provided sleeves and short screws (Part H) and Allen wrench. Repeat for the other end.
- Step 4. Next, locate the base, then the long screws (part G) and washers (part F) provided, secure them into base and parts B by tightening with an Allen wrench.

Cleaning

Clean with a damp cloth only.
 Avoid using metal or abrasive polishes.