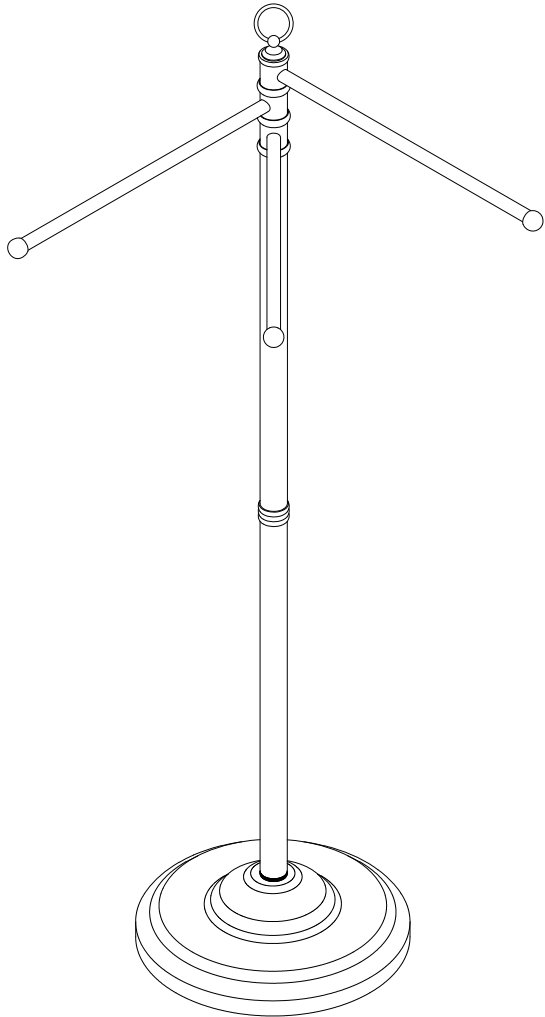


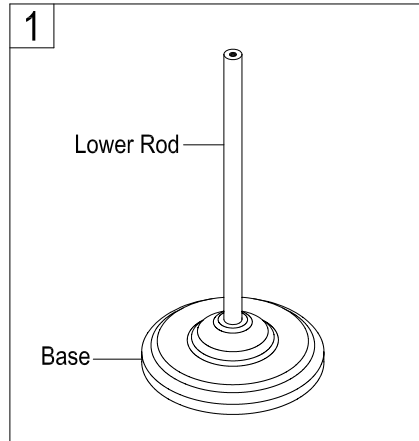
# KINGSTON

KITCHEN & BATH

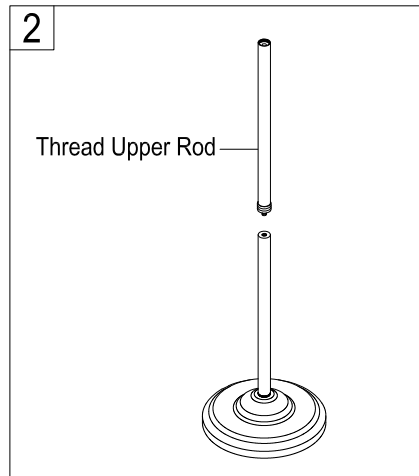
## Pedestal Towel Bar Installation



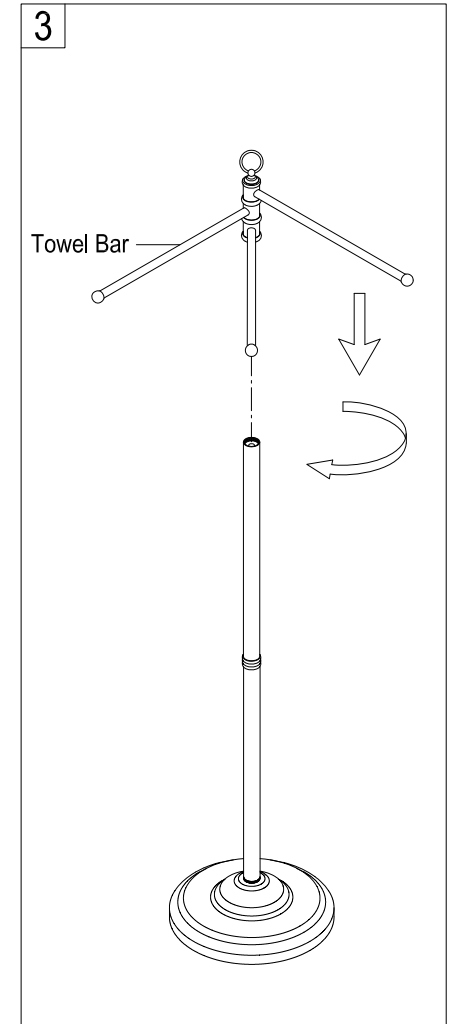
www.kingstonbrass.com  
TOLL-FREE CUSTOMER SERVICE: 1-877-2-KBRASS  
TECHNICAL SUPPORT E-mail: service@kingstonbrass.com  
12775 Reservoir Street, Chino, CA 91710



1. Place base on a flat level surface and thread lower rod onto base in a clockwise direction.



2. Thread upper rod onto lower rod, the end that has the decorative ring should be facing down.



3. Install towel bar assembly onto rod by threading assembly in a clockwise direction.

### Cleaning

Clean with a damp cloth only.  
Avoid using metal or abrasive polishes.