

Limited Lifetime Faucet Warranty

Fluid™ warrants its faucets to be free from defects in material and workmanship for as long as the original consumer/purchaser/owner owns his or her home.* Plastic and rubber components are warranted for a period of two years. This warranty applies only to original installation locations. If a defect is found in normal residential use, Fluid™ will, at its election, repair, provide a replacement part or product, or make the appropriate adjustment.

Fluid™ reserves the right to examine the product in question and its installation prior to replacement. This warranty is limited to replacement of defective parts only. Damage to a product caused by accident, improper installation, misuse or abuse, improper care of finishes, hard water or mineral deposits, potassium or salt based water softener systems or exposure to corrosive materials is not covered by this warranty. Improper care and cleaning will void the warranty.** Replacement parts can be obtained from your local dealer or directly from the Fluid™ warehouse, (shipping charges may apply). Dated proof of purchase must accompany all warranty claims. This warranty applies only to Fluid™ faucets installed in the United States of America, Canada or Mexico (North America).

Fluid™ recommends using a certified plumber for faucet installation and repair. Incidental and consequential damages, labor charges, repair or replacement costs are expressly excluded. In no event shall the liability of Fluid™ exceed the purchase price of the faucet. Some states and provinces do not allow the exclusion or limitation of incidental or consequential damages, so the above limitation may not apply to you. This warranty gives you specific legal rights which vary from state/province to state/province. If you find any such problem with your product, please immediately contact your nearest Fluid™ dealer or sales representative.

fluid |

Sustainable Solutions

Need Help?

For additional assistance
Toll Free: 1 800 460 7019
Fax: 1 604 430 5050
help@sustainable-solutions.com
www.sustainable-solutions.com

Installation Instructions for Single Lever Wall Mount Lavatory or Shower Faucet

* Two year warranty on commercial applications.

** Never use cleaners containing abrasive cleansers, ammonia, bleach, acids, waxes, alcohol, solvents or other products not recommended for surface finishes. This will void the warranty.

This faucet meets or exceeds the following standards:
ASME A112.18.1 / CSA B125.1 / NSF61-9 / EPA Watersense
AB1953 California Lead Plumbing Law Certified
This product has been tested and certified by IAPMO.



IAPMO LISTED



**Sustainable
Solutions**

Sustainable Solutions International
Phone: 1 800 460 7019
www.SustainableSolutions.com

Single Handle Wall Mount Lavatory or Shower Faucet/2019/V4



Do not complete and cover over rough-in installation until valve, (with cartridge installed) and diverter (if any) have been fully water tested for any leaks. Testing must include diverting water to all fixtures.

Please Keep This Manual For Future Reference

Tools Required for Installation



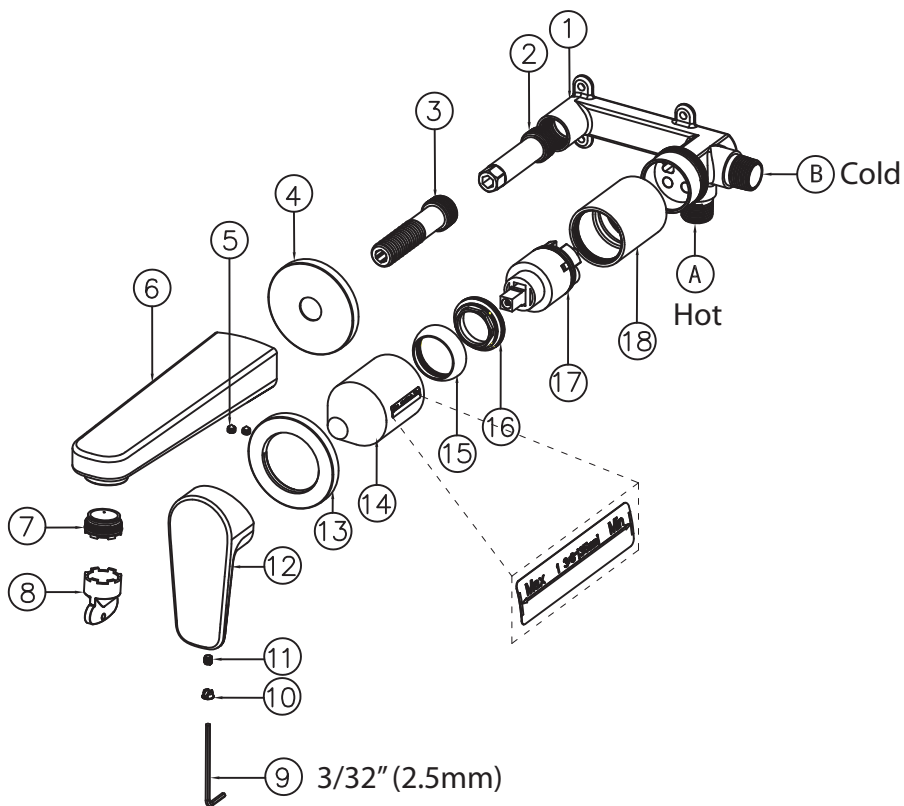
Allen Wrench



Teflon Tape



Adjustable Wrench



Specifications:

| | |
|------------------------|---|
| Max flow | 1.2 gpm or 4.5 L/min at 60 psi |
| Flow pressure | 15-72.5 psi |
| Max pressure | 120 psi |
| Max temperature | 176 °F or 80 °C |
| Max installation depth | 2-5/8" (67mm) from center of inlet to finished wall |
| Inlet connection | 1/2" NPT and 1/2"CxC |

Installation Instructions

Valve Installation

1. Shut off cold and hot water supply.
2. Install wall mount valve body (#1) so the handle is located on the right side and the surface of finished wall is between the MIN and the MAX mark on the mud guard (#14).
3. Connect the valve body (#1) to water supplies using proper fittings (copper tubing or iron pipe). (B) is the cold inlet port and (A) is the hot inlet port.

3.1. For 1/2" Copper Tube Soldering Connections. Solder water supply tube to valve body (#1).

NOTE: Prior to soldering, remove cartridge (#17) by unscrewing the cap (#15) and retaining nut (#16). Avoid soldering excessively high temperature.

3.2. For 1/2" IPS Thread Connections Apply Teflon tape onto thread and connect water supply tube to valve body (#1)

4. The valve body (#1) could be water tested with a tightened test plug (#2).

Trim Installation

1. Remove test plug (#2) from the valve body (#1) by unscrewing with a 5/16" (8mm) Allen wrench (not provided) or an adjustable wrench.
2. Apply Teflon tape onto the threaded end of "Speed Connector" (#3) and tighten it with a 5/16" (8mm) Allen wrench (not provided).
3. Slide escutcheon (#4) and spout (#6) over "Speed Connector" (#3) until spout stops. (please refer to detailed Speed Connector Installation Instructions attached).
4. Secure spout (#6) with 2 set screws (#5) by using a 3/32" (2.5mm) Allen wrench (#9).
5. Remove mud guard (#14) and slide escutcheon (#13) over sleeve tube (#18).
6. Secure handle (#12) onto cartridge stem (#17) with set screw (#11) and tighten it with a 3/32" (2.5mm) Allen wrench (#9). Push decorative cover (#10) into hole.



Note: Vandal proof aerator features water saving technology (1.2gpm), swivel flow direction adjustment by simply pushing the inside of the aerator to direct stream. To use as a shower faucet, replace the aerator (#7) with a flow streamer which can be purchased from SSI.

Care & Maintenance Instructions

SSI products are designed and engineered under strict quality standards. Regular and proper care of our products will ensure years of trouble-free service.

For Cartridge:

1. Shut off cold and hot water supply.
2. Pull out decorative cap (#10) and with an Allen wrench (#9) loosen the set screw (#11) but do not remove it.
3. Take off handle, unscrew cap (#15) by hand or an adjustable wrench, and remove retaining nut (#16) with an adjustable wrench.
4. Remove cartridge (#17). Clean it with clean running water.

5. Replace cartridge (#17), retaining nut (#16) and cap (#15) followed by handle (#12).

For Aerator:

Regularly remove aerator (#7) with the enclosed service key (#8) and wash with clean running water and ensure that any trapped debris has been removed.

For Surface Finish:

Clean with a damp cloth and warm soapy water. Then simply rinse off and wipe dry with a soft cloth. Do not use abrasive or harsh cleaners as they may result in finish damage.