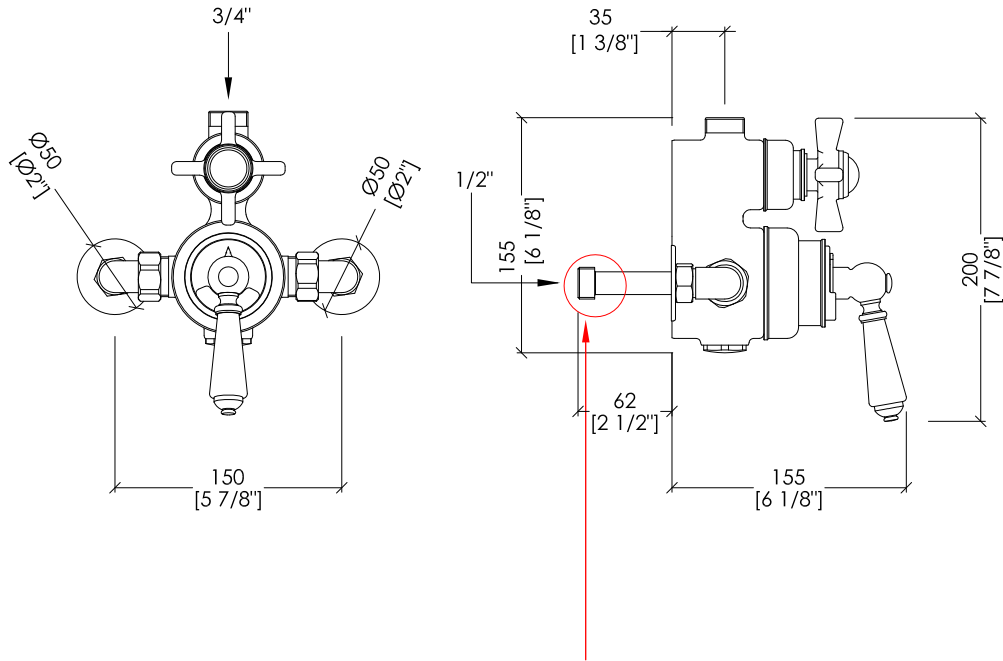


# Devon&Devon

## THERMOSTATIC - MARM74



TUBI DI ADDUZIONE ACQUA IN RAME (FORNITI)  
DIAMETRO 15 MM  
ATTACCO G1/2" M

WATER SUPPLY CONNECTIONS IN COPPER WITH A DIAMETER OF 15MM, 1/2" BSP MALE ATTACHMENT (CAN BE CUT TO LENGTH), FOR USE WITH SEALANT TAPE INTO PRE-FITTED FEMALE SOCKETS (NOT SUPPLIED).

► PER IL MONTAGGIO ABBINARE AD ARTICOLO:

MARK618CR/ MARK618/ MARK618NKS  
+  
MARK318CR/ MARK318/ MARK318NK o  
MARK3182CR/ MARK3182/ MARK3182NKS

► FOR ASSEMBLY COMBINE WITH ARTICLE:

MARK618CR/ MARK618/ MARK618NKS  
+  
MARK318CR/ MARK318/ MARK318NK or  
MARK3182CR/ MARK3182/ MARK3182NKS

MARM74CR; MARM74; MARM74NKS

- GRUPPO DOCCIA MISCELATORE TERMOSTATICO
- MATERIALE: ottone e ceramica bianca
- FINITURA: cromo, oro chiaro o nickel lucido
- TOLLERANZA: ± 2 %
- DIMENSIONE IMBALLO: mm 360x285x185H

**N.B.** Tutte le misure sono in millimetri/pollici. Questo disegno è di proprietà Devon&Devon. Non può essere riprodotto o trasmesso a terzi senza autorizzazione.

- THERMOSTATIC SHOWER MIXER
- MATERIAL: brass and white ceramic
- FINISH: chrome, light gold or polished nickel
- TOLLERANCE: ± 2 %
- PACKAGING SIZE: inch 14 1/8"x 11 1/4"x 7 1/4"H

**N.B.** All measurements are in millimetres/inch. This drawing is property of Devon&Devon. It may not be reproduced or transmitted to third parties without authorization.