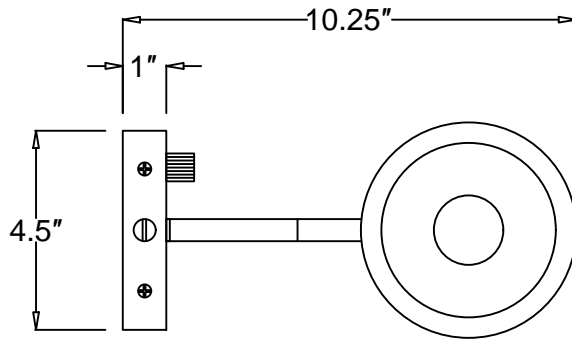


CRYSTORAMA

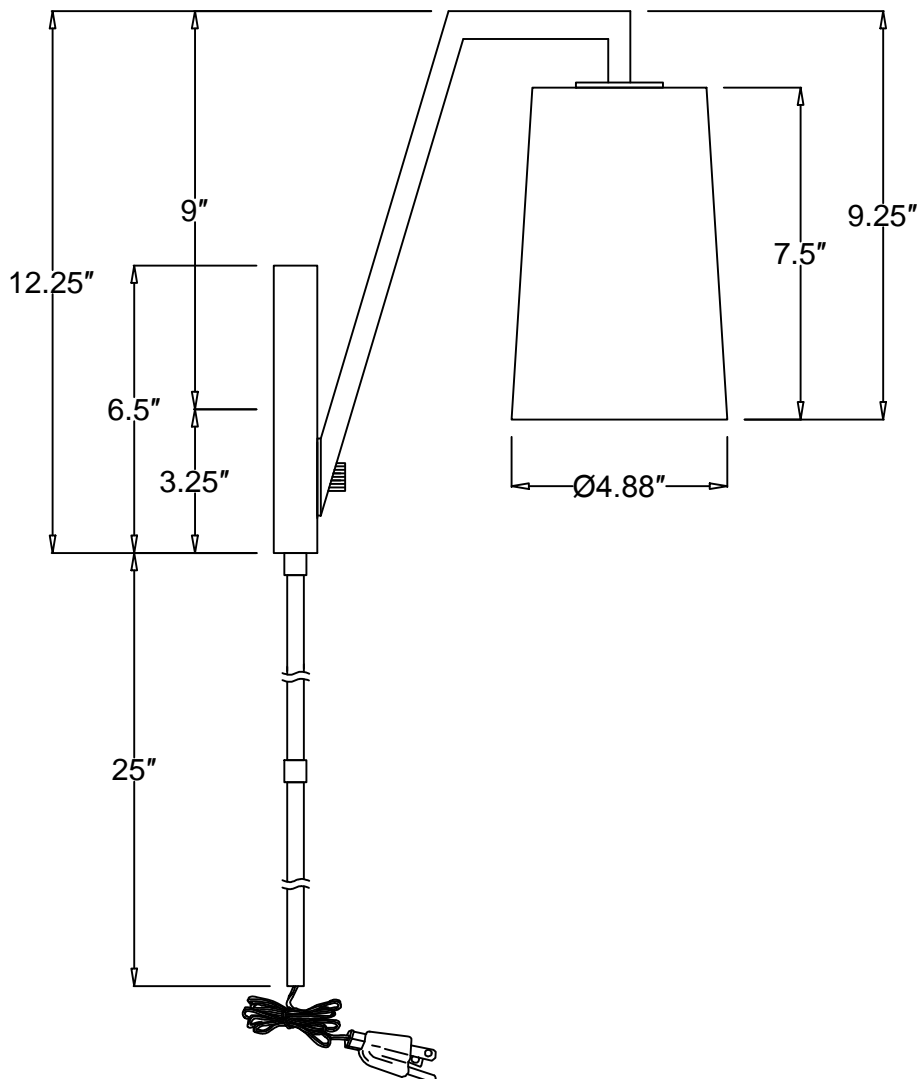
LIGHTING THE WAY FOR SIXTY YEARS

ASSEMBLY INSTRUCTION MODEL #AVO-B4201-PN

For Hard-wired



For Plug-in



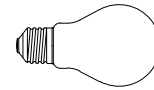
WARNING



Electrical Danger

Turn Power Off

All electrical components must be installed by a licensed electrician in accordance with the National Electric Code and the appropriate local electrical codes.



You will need 1-Medium Bulb
60 watts Max Bulb not included
USE LED BULBS FOR EXTENDED USE
This fixture is DRY rated

How to Install


This is a convertible piece. Installation steps for both Hard-Wire and Plug-In options are below

For Hard-wired installation, please proceed as follows:

- 1.Remove the plug wires from the fixture wires.
- 2.Remove the Nut (H) from the bottom of Back Plate (B) and cover the hole with Plug (I).
- 3.Attach the Glass (E) onto Metal Cover (D) and secure it by Metal Spacer (F) and Socket Ring (G).

For Plug-in installation, please proceed as follows:

- 1.Connect Rod (J) to the bottom of Back Plate (B).
- 2.Determine the desired location you'd like to put this fixture on the wall, and mark two points on it with same distance as between the holes on the Back Plate (B).
- 3.Drill the holes at the marked points and insert the anchors into the holes in the wall, Attach the mounting plate onto the wall by anchor screws.
- 4.Attach the Back Plate (B) onto mounting plate.

 **WARNING:** This product can expose you to Lead, which is known to the State of California to cause cancer and/or birth defects or reproductive harm. For more information go to www.P65Warnings.ca.gov

CRYSTORAMA

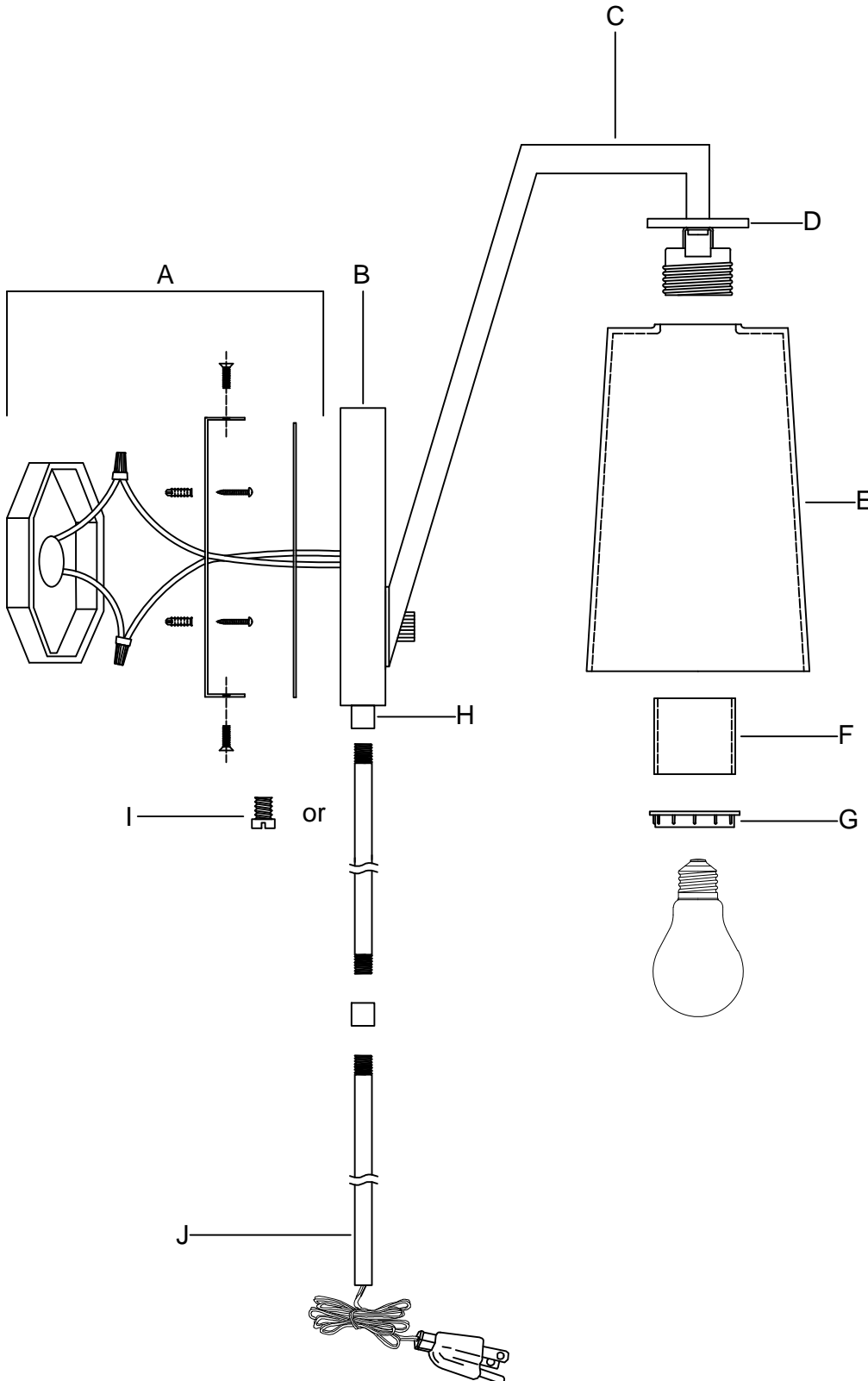
LIGHTING THE WAY FOR SIXTY YEARS

PART NUMBER MODEL #AVO-B4201-PN

Part Number

Part Numbers

- A. Mounting Hardware
 - (1) Mounting Plate
 - (1) Reinforcing Plate
 - (2) Wire Nut
 - (4) Anchors
 - (4) Anchor Screws
 - (4) Screws
- B. (1) Back plate; 4.5"x6.5"x1" h; XMO4201PNBKP4.5IN
- C. (1) Lamp Arm
- D. (1) Metal Cover
- E. (1) Glass Shade; 4.875"x3.875"x7.5"; XMO4201GLA4.875IN
- F. (1) Metal Spacer
- G. (1) Socket Ring
- H. (1) Nut
- I. (1) Plug
- J. (2) Rod; Ø3/8"x12" h;



E-Size

