

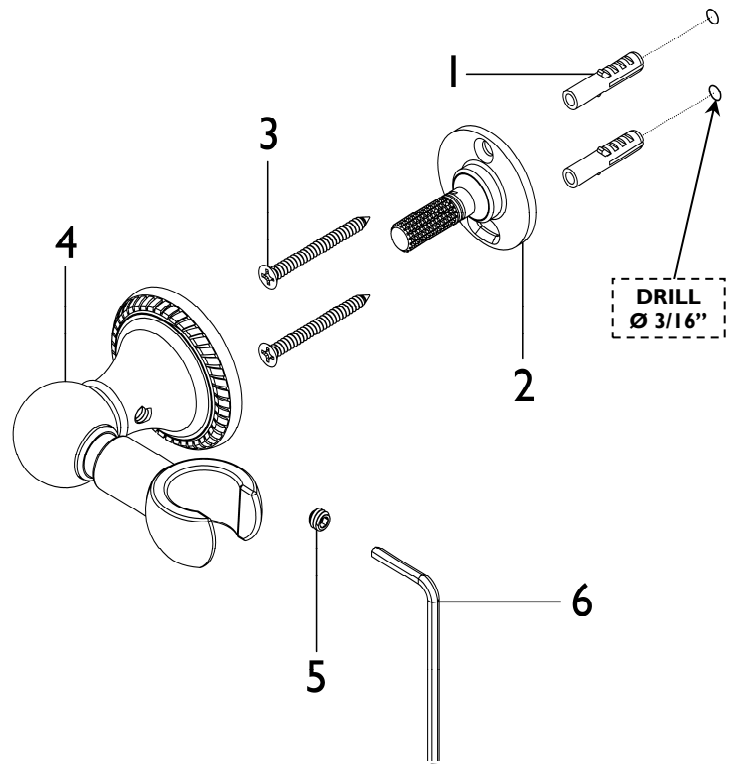
Handshower Holder Swivel Wall Bracket Installation Instructions

CALIFORNIA FAUCETS RECOMMENDS THAT ALL PLUMBING PRODUCTS BE INSTALLED BY A LICENSED PROFESSIONAL

IMPORTANT: Read all instructions prior to installation and provide copy of instructions to consumer.

1 PRE-DRILL WALL FOR SCREW ANCHOR

- Remove HOLDER (4) from MOUNT (2) by loosening SETSCREW (5) using supplied hex KEY (6)
- Place MOUNT (2) to desired location on finished wall surface and mark the two hole positions
- Using appropriate drill bit, drill \varnothing 3/16" holes from marked hole positions
- Insert ANCHORS (1) into drilled holes

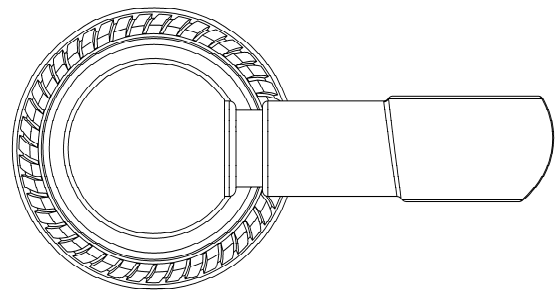


2 INSTALLING MOUNT TO WALL

- Insert SCREWS (3) into MOUNT (2) and loosely tighten SCREWS (3) into ANCHOR (1)
- Attach HOLDER (4) onto MOUNT (2) and rotate until hook is horizontal as shown
- Carefully remove HOLDER (4) from MOUNT (2) and securely tighten SCREWS (3)

3 ATTACHING HOLDER ASSEMBLY

- Attach HOLDER (4) to MOUNT (2)
- Tighten SETSCREW (5) with hex KEY (6) provided



Front View
SH-20S-38 Shown