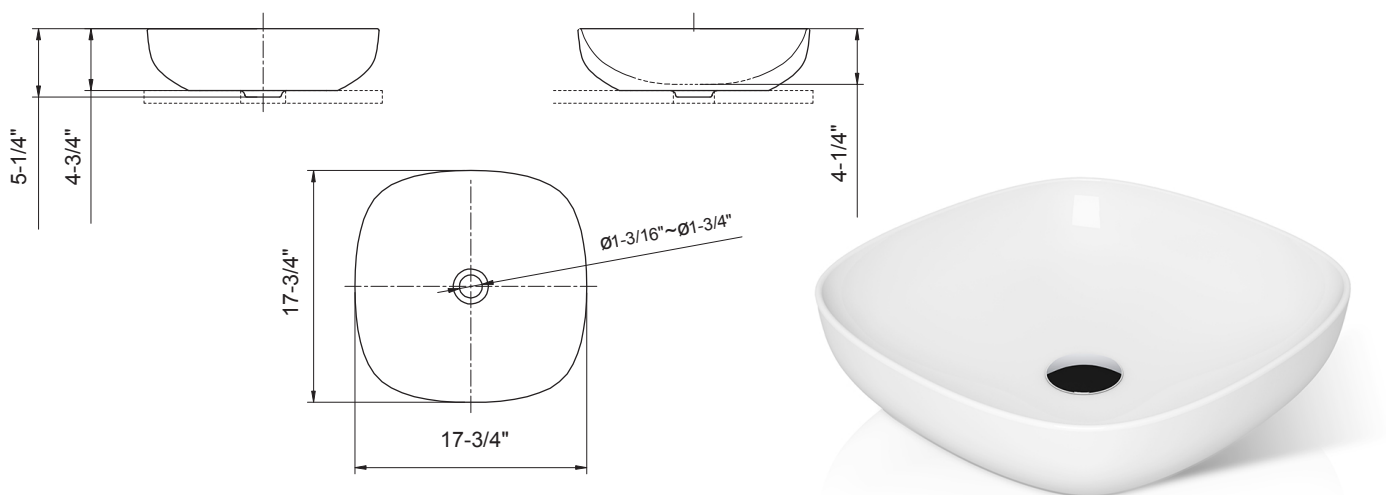


AXENT.ONE C

ABOVE COUNTER BASIN L316-1101-U1



*Drain hole fits standard US drain fixtures
(diameter: 1.63" - 1.75")

*Drain not included

FEATURES

Dimensions	L 17-3/4" x W 17-3/4" x H 5-1/4"
Gross/Net Weight	25.4 lbs / 21.5 lbs
Material Finish	Fine Fire Clay (FFC)
Color	White

CODES/STANDARDS

ASME A112.19.2-2013/CSA B45.1-13

ADA compliant when installed to ADA specification requirements.

DETAILS

This basin features beautiful structure, gracious shapes and elegant, thin edges. A masterpiece of craftsmanship, the AXENT.ONE C Counter Top washbasin features no tap hole, no overflow hole and an Easy Clean glaze for easy lifetime maintenance.